

Steerable trolley JLB 40 H Professional

Power and stability - the JLB 40 H transport trolley from JUNG can lift loads of up to 40 t with an installation height of 230 mm.

Product number 09 400 206-H

Weight 314kg



Product description

Advantages of the transport trolleys JLB 40 H

- Unrivalled: Small and lightweight trolleys at super high capacity.
- Steerable transport trolleys with pivoting cassettes for a better load distribution at all castors and the floor.
- All transport trolleys are ready for use.
- The steerable transport trolley is fitted with a ball bearing supported turntable and a handlebar.
- Also available as Professional version with JUWathan twin castors: the double castor design results in dramatically easier steering due to reduced friction forces in curves.

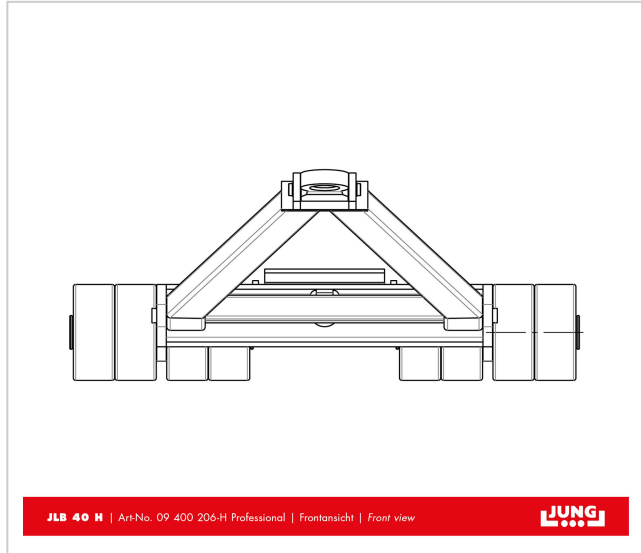
Product properties

Handlebar with pulling eye (mm)	1 600
Weight JUWathan® (kg)	314
Supporting surface of turntable Ø (mm)	250
Height (mm)	230
Number of twin castors (pcs.)	16
Castor dimensions (Ø x l mm)	200 x 85
Load capacity (t)	40
Load capacity (suitable)	41 - 80 t
Dimensions steerable (mm)	650 x 1 060

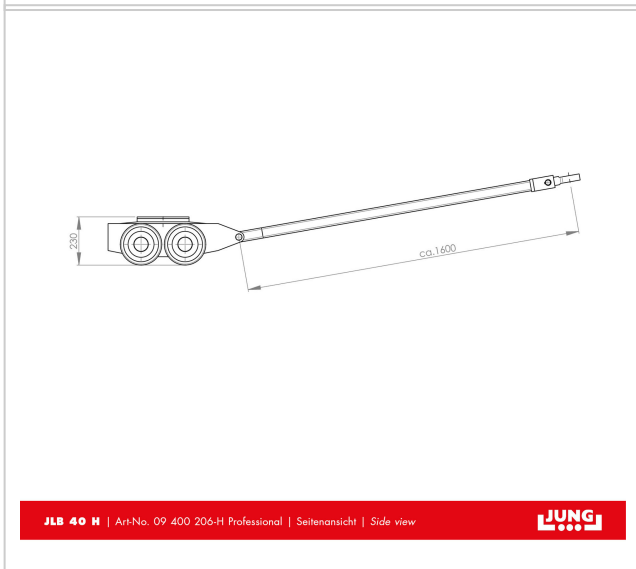
More images



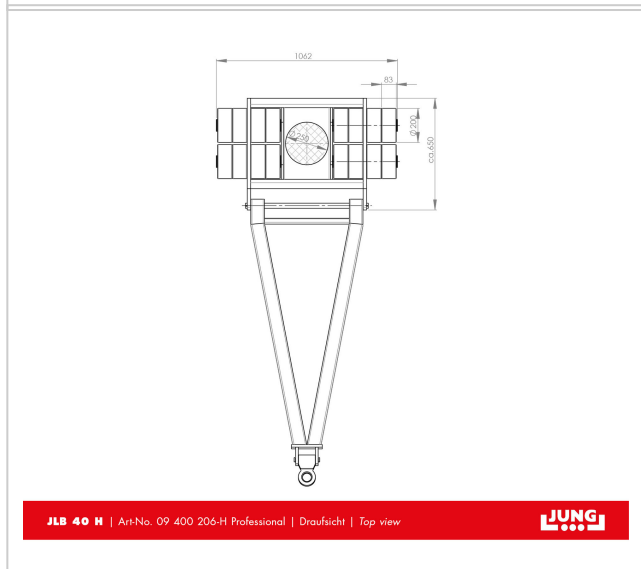
Made by
JUNG in
Germany



JLB 40 H | Art-No. 09 400 206-H Professional | Frontansicht | Front view



JLB 40 H | Art-No. 09 400 206-H Professional | Seitenansicht | Side view



JLB 40 H | Art-No. 09 400 206-H Professional | Draufsicht | Top view

