

Revolving transport trolley JKB 6 K

Agile and powerful revolving transport trolley from JUNG. The JKB 6 K transport trolley transports loads up to 6 t with an installation height of 110 mm.

Product number 14 061 085-P

Weight 41kg



Product description

Qualities of the revolving transport trolley JKB 6 K with JUWAmid

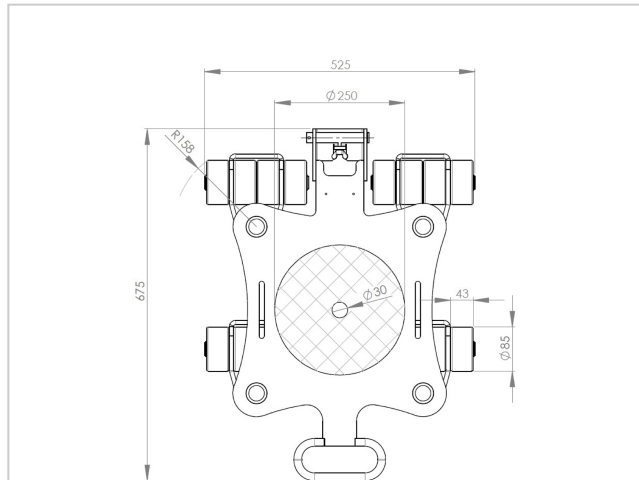
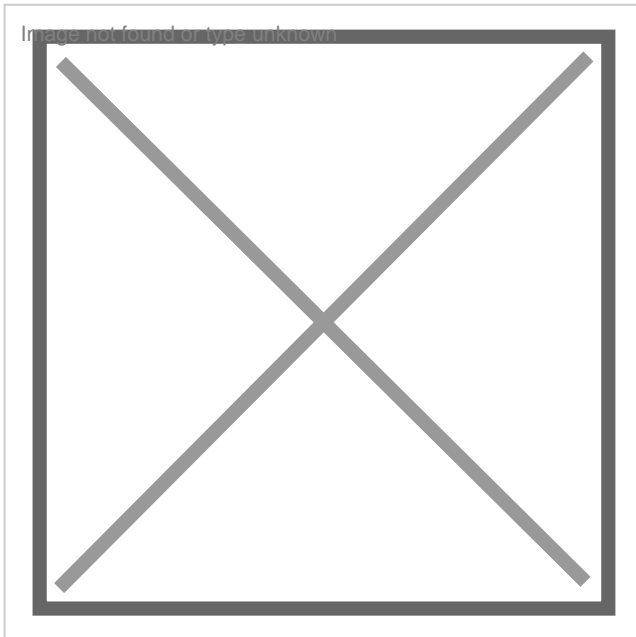
- Optional connecting bars can be fixed without tools by clamping down on adapter.
- High load capacity at low weight.
- Bearing supported swiveling castors allow 360° maneuverability.
- Mix and match revolving trolleys with transport trolleys: With an installation height of only 110 mm*, the rotating transport trolley JKB 6 is compatible with all steering and transport undercarriages of the K series.
- All products are also available in a set of two with price advantage.
- Unrivalled: The double roller system reduces rolling and turning resistance to a minimum.
- Using the slots in the platform, the rotational trolleys JKB 4 - 8 can be affixed to the load with standard tiedown belts.
- In addition, all the trolleys have a platform center hole to allow attachment to the load.
- For choosing the adequate revolving trolley we recommend a load of two-third of the maximum capacity. This will be the most advantageous compromise between payload, ergonomics and handling of the devices.
- Pulling handle and connecting bars available as accesories.
- Inspected according to technical regulation ANSI ? ASME (USA)

*) Due to technical changes, there may be tolerances of up to + 4.5 mm in the installation height since 2014.

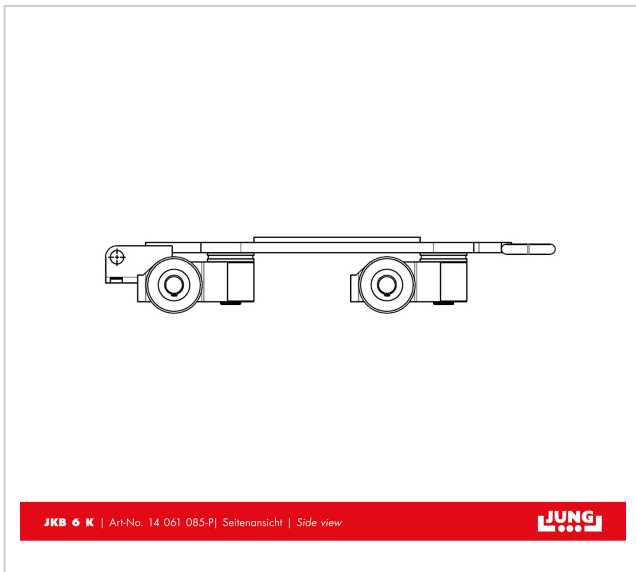
Product properties

Supporting surface per cassette (mm)	250
Consist of	1 x JKB 6 K
Castor dimensions (Ø x l mm)	85 x 43
Load capacity (t)	6
Height (mm)	110
Weight JUWAmid (kg)	41
Number of castors (Pieces)	16
Load capacity (suitable)	6 - 10 t
Cassette dimensions (mm)	675 x 525

More images



JKB 6 K | Art.No. 14 061 085-P | Draufsicht | Top view



JKB 6 K | Art.No. 14 061 085-P | Seitenansicht | Side view



Made by JUNG in Germany

