

JHS 10 - Hydraulic jack

High-quality hydraulic jack from JUNG. The hydraulic lifting device JHS 10 lifts a load of 10 t and reaches a maximum lifting height of 610 mm at the head plate.

Product number 01 020 101-O

Weight 20kg

Width 200mm

Height 260mm



Product description

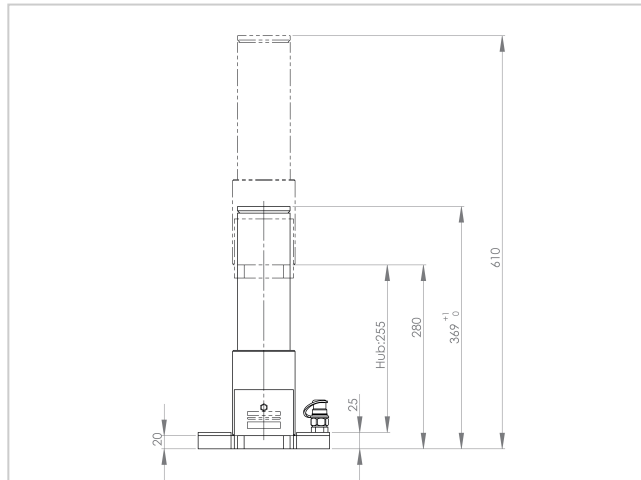
Qualities of the jack JHS 10

- 180° revolving housing, this allows the jack to be placed with long or with short feet to the load, if there is no space under that.
- Extra-large lift height: JHS 10 with lift toe 260 mm, with top plate maximum 610 mm.
- Large load capacity – up to 20 metric tons in set - with low net weight, therefore perfect for use on site or on the way by frequent changes of location.
- Can also be used horizontally for pressing.
- Safe: because of the use of a separate pump and hoses, more safety distance to the load.

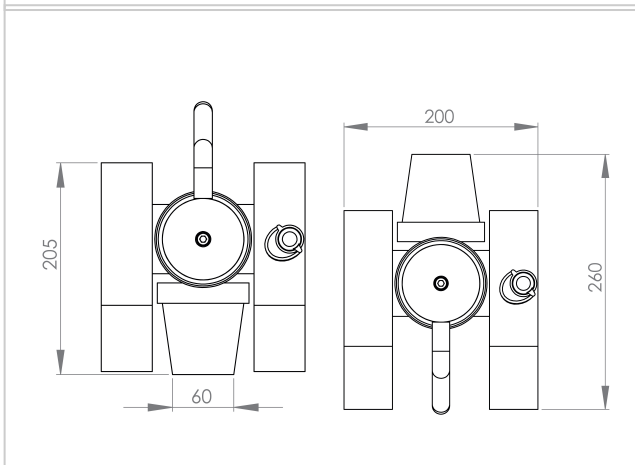
Product properties

Pump unit included	Nein
Toe depth (mm)	55
Maximum top plate height (mm)	610
Diameter top plate (mm)	80
Maximum lift toe height (mm)	260
Length toe supported (mm)	205
Minimum lift toe height (mm)	20
Top plate height (mm)	370
Length toe exposed (mm)	260
Cylinder volume (l)	0,47
Toe width front (mm)	60
Load capacity on top plate (t)	10
Width (mm)	200

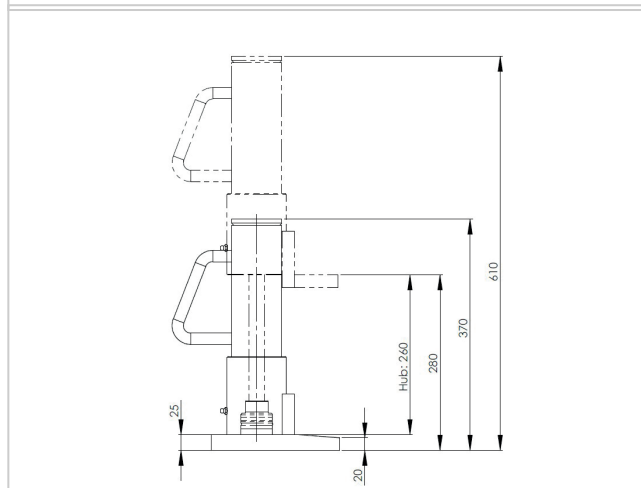
More images



JHS 10 | Art.No. 01 020 101-O | Frontansicht | Front view



JHS 10 | Art.No. 01 020 101-O | Draufsicht | Top view



JHS 10 | Art.No. 01 020 101-O | Seitenansicht | Side view