

Container trolley JTLB 30 G Twistlock

For transporting containers - the tandem trolleys JTLB 30 G TL with twistlock for loads up to 30 t.

Product number 12 302 140-TL

Weight 283kg



Product description

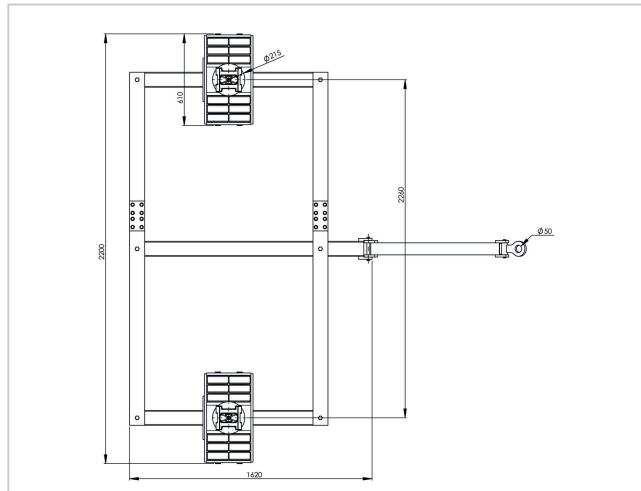
Advantages of the tandem trolleys JTLB 30 G TL with Twistlock

- Safe transport of containers.
- Low height for moving containers low to the ground.
- Lock-to-hold mechanism between the trolley and the containers (Twistlock).
- Compatible with all ISO-containers.
- "Twistlock" version for outdoor transport for use on pavement includes turntables fitted with "Twistlock" to secure containers to transport trolleys. Including 2-parts connecting bars fixed length 2.26 m / 89 inch and pulling handle with towing eye.

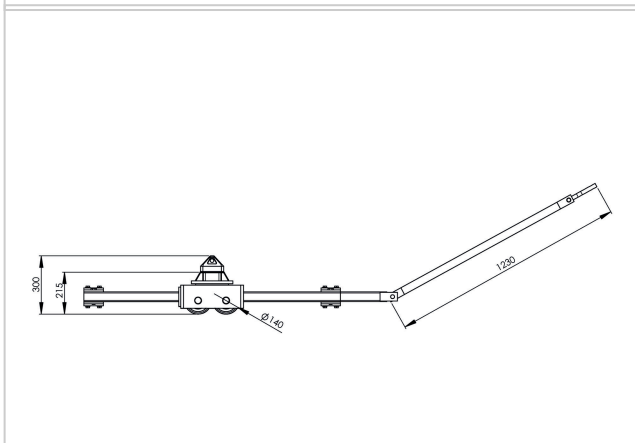
Product properties

Weight JUWATHAN@plus (kg)	283
Supporting surface of turntable Ø (mm)	215
Number of castors (Pieces)	24
Handlebar with pulling eye (mm)	1 230
Load capacity (t)	30
Castor dimensions (Ø x l mm)	140 x 59
Height (mm)	215
Dimensions steerable (mm)	1 620 x 2 870
Total height (mm)	300
ISO-length (mm)	2 260

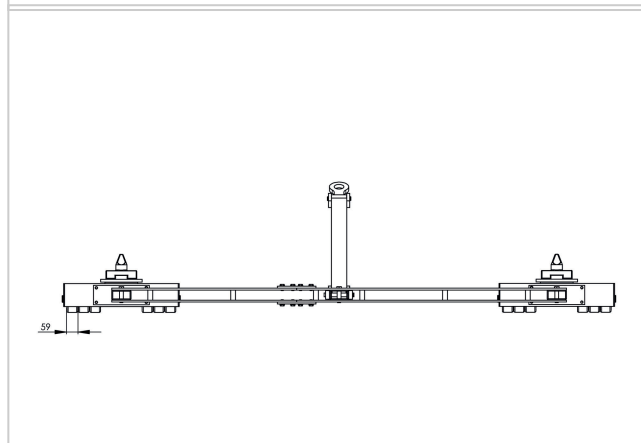
More images



JTLB 30 G TL | Art.No. 12.302.140-TL | Draufsicht | Top view



JTLB 30 G TL | Art.No. 12.302.140-TL | Seitenansicht | Side view



JTLB 30 G TL | Art.No. 12.302.140-TL | Frontansicht | Front view