

JH 10 G plus ku - Hydraulic jack

High-quality machine lifter from JUNG. The hydraulic lifting device JH 10 G plus ku lifts a load of 10 t and reaches a maximum lifting height of 108 mm. It's the short version of the jack JH 10 G plus.

Product number 01 100 103-G ku

Weight 28kg

Width 247mm

Height 233mm



Product description

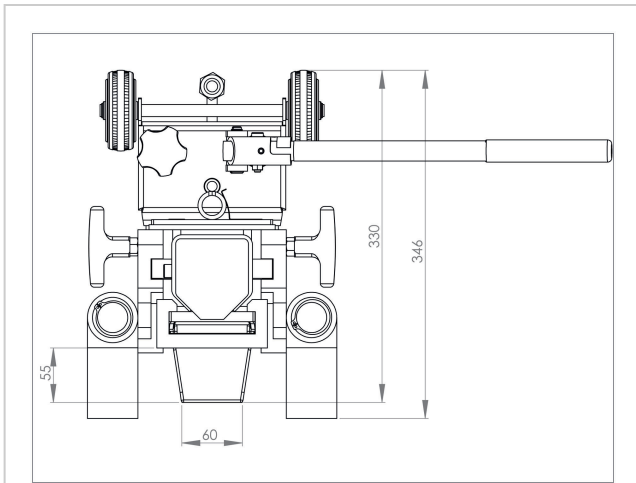
Advantages of the hydraulic jack JH 10 G plus ku (short version)

- Slide shoe design inside the guiding track prevents twisting of the piston inside the lifting cylinder. This guarantees better force distribution, less friction and reduced wear compared to conventional jacks.
- Reduced maintenance costs due to easy change slide shoes and removable pump unit.
- Extremely lightweight with high performance due to the use of highquality material and innovative design.
- Continuous adjustment to the load due to swiveling safety toe. Secure stability in every situation even in lifted position.
- Die-forged steel toe provides impact resistance.

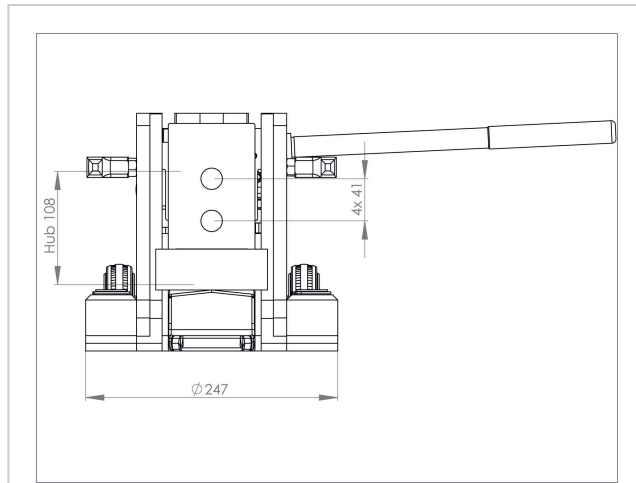
Product properties

Top plate height (mm)	233
Height (mm)	233
Toe depth (mm)	55
Length feet on side (mm)	330
Length feet in front (mm)	346
Minimum lift toe height (mm)	15
Stroke (mm)	108
Toe width front (mm)	60
Pump unit included	Ja
Maximum lift toe height (mm)	138
Load capacity on top plate (t)	10
Width (mm)	247
Lift toe adjustment	4 x 41
Cylinder volume (l)	0,21

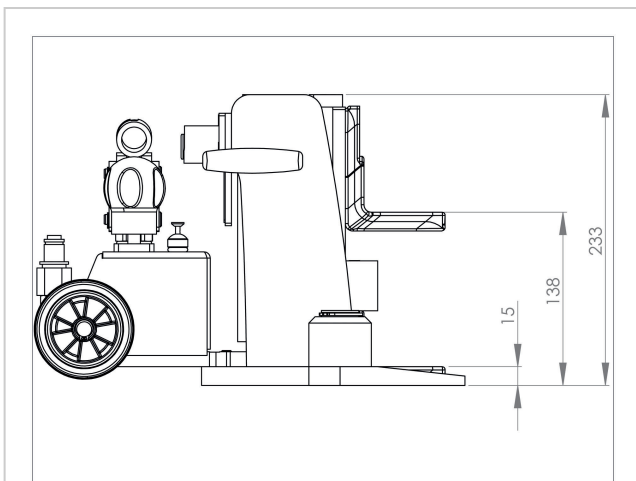
More images



JH 10 G plus ku | Art.No. 01 100 103-G | Draufsicht | Top view



JH 10 G plus ku | Art.No. 01 100 103-G | Frontansicht | Front view



JH 10 G plus ku | Art.No. 01 100 103-G | Seitenansicht | Side view

