

Adjustable trolley JFB 24 S with JUWathan

High-performance transport trolley from JUNG. The JFB 24 S trolley transports loads up to 24 t with an installation height of 125 mm.

Product number 06 242 090-V

Weight 80kg



Product description

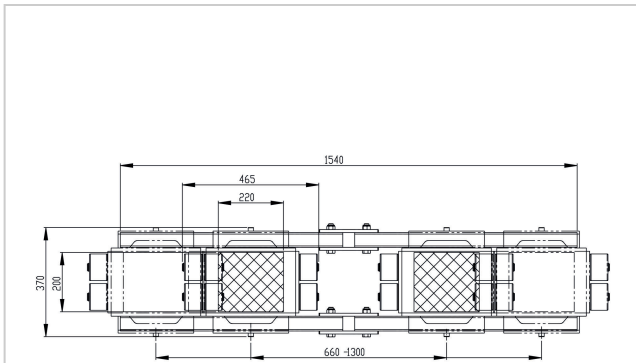
Advantages of the transport trolley JFB 24 S

- Pivoting cassettes and axles within the frame (except for JLB 16 S) assure even pressure distribution across all castors and across the floor.
- Slim castor design (60 mm fitting length) results in easier steering due to reduced friction forces also in curves.
- Very low height at only 125 mm, with high capacity and less own weight.
- All transport trolleys are ready for use: The adjustable-width transport trolley consists of two transport units and connecting bars.
- The transport trolleys have an installation height of only 125 mm, allowing them to fit under almost any load. The drawbar with a tow eye makes maneuvering and positioning easier. JUNG uses ball-bearing rollers for its transport trolleys, ensuring smooth and quiet operation. The rollers come equipped with a wear-resistant JUWathan coating as standard.

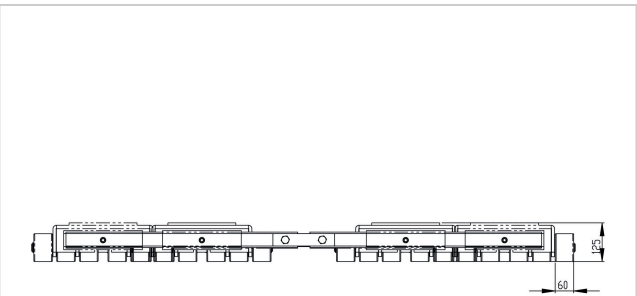
Product properties

Number of castors (Pieces)	24
Supporting surface per cassette (mm)	200 x 220
Castor dimensions (Ø x l mm)	90 x 60
Connecting bar with joint (mm)	2 x 1 540
Weight JUWathan® (kg)	80
Cassette dimensions (mm)	370 x 465
Height (mm)	125
Cassettes adjustable from - to (mm)	660 - 1 300
Load capacity (suitable)	41 - 80 t
Load capacity (t)	24

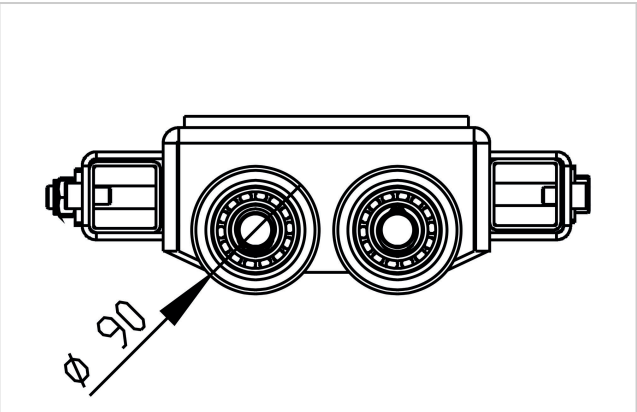
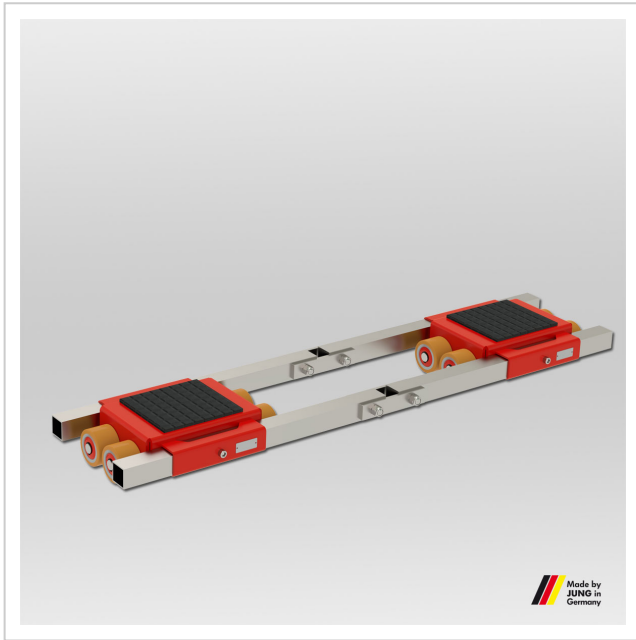
More images



JFB 24 S | Art.No. 06 242 090-V | Draufsicht | Top view



JFB 24 S | Art.No. 06 242 090-V | Frontansicht | Front view



JFB 24 S | Art.No. 06 242 090-V | Seitenansicht | Seiten view