

Hydraulic jack JH 15 G plus

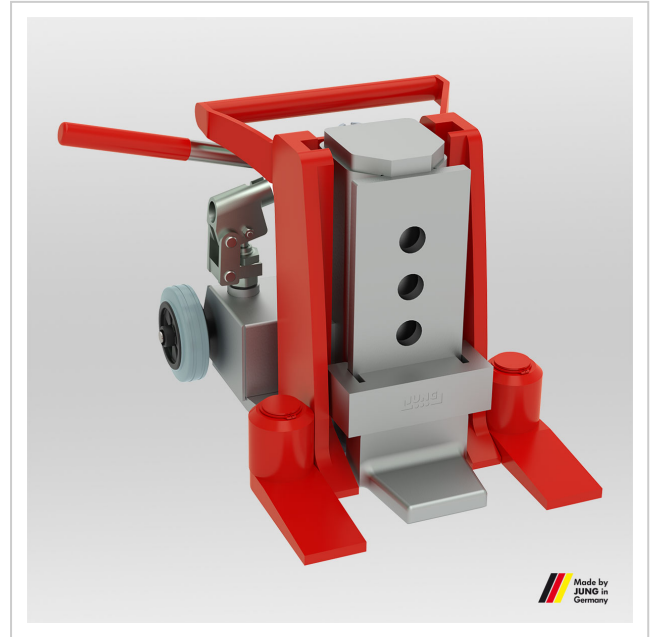
High-quality machine lifter from JUNG. The hydraulic lifting device JH 15 G plus lifts a load of 15 t and reaches a maximum lifting height of 175 mm.

Product number 01 150 102-G

Weight 48kg

Width 322mm

Height 310mm



Product description

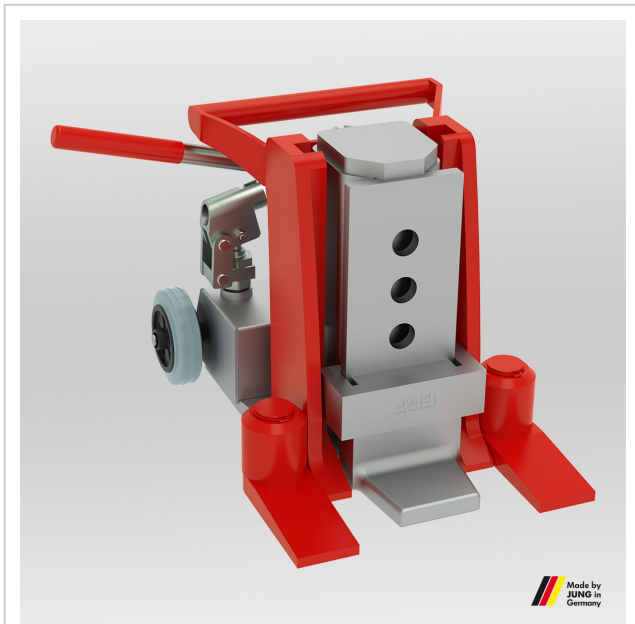
Advantages of the hydraulic jack JH 15 G plus

- Slide shoe design inside the guiding track prevents twisting of the piston inside the lifting cylinder. This guarantees better force distribution, less friction and reduced wear compared to conventional jacks.
- Reduced maintenance costs due to easy change slide shoes and removable pump unit.
- Extremely lightweight with high performance due to the use of highquality material and innovative design.
- Continuous adjustment to the load due to swiveling safety toe. Secure stability in every situation even in lifted position.
- The hydraulic jack JH 15 G plus is serially outfitted with a fast stroke and also available with a spring return.
- Die-forged steel toe provides impact resistance.

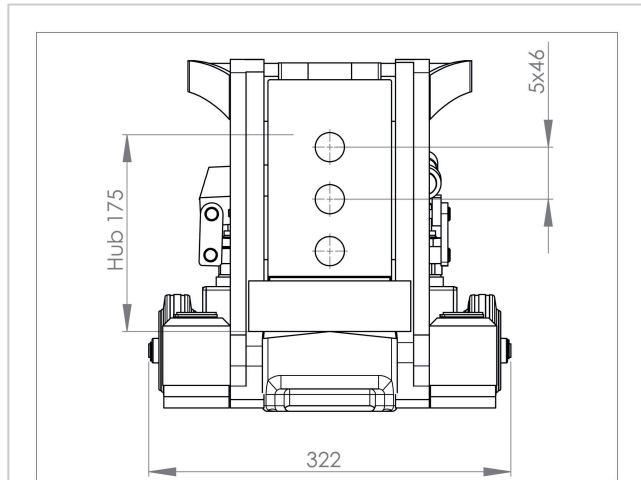
Product properties

Toe depth (mm)	64
Length feet on side (mm)	393
Load capacity on top plate (t)	15
Toe width front (mm)	80
Lift toe adjustment	5 x 46
Minimum lift toe height (mm)	20
Stroke (mm)	175
Length feet in front (mm)	415
Cylinder volume (l)	0,5
Pump unit included	Ja
Top plate height (mm)	310
Width (mm)	322
Height (mm)	310
Maximum lift toe height (mm)	205

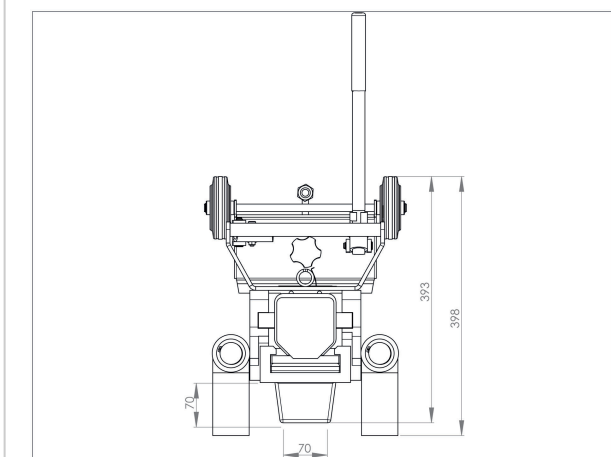
More images



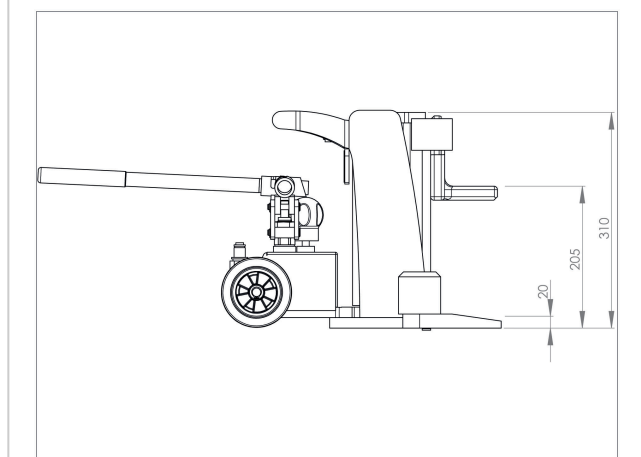
Made by
JUNG in
Germany



JH 15 G plus | Art.No. 01 150 102.G | Frontansicht | Front view



JH 15 G plus | Art.No. 01 150 102.G | Draufsicht | Top view



JH 15 G plus | Art.No. 01 150 102.G | Seitenansicht | Side view

