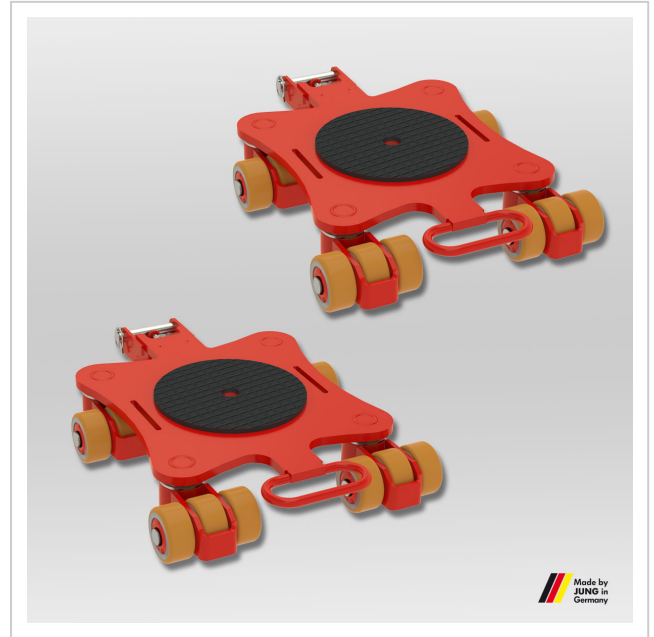


Revolving transport trolley JKB 4 Set

Agile and powerful revolving transport trolley from JUNG. The JKB 4 K transport trolley set transports loads up to 8 t with an installation height of 110 mm.

Product number 14 041 085-DVu

Weight 76kg



Product description

Qualities of revolving transport trolley set JKB 4 K with JUWATHAN plus castors

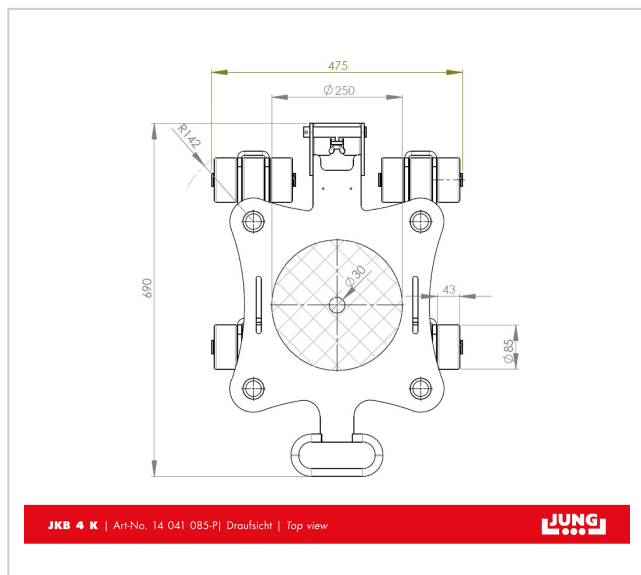
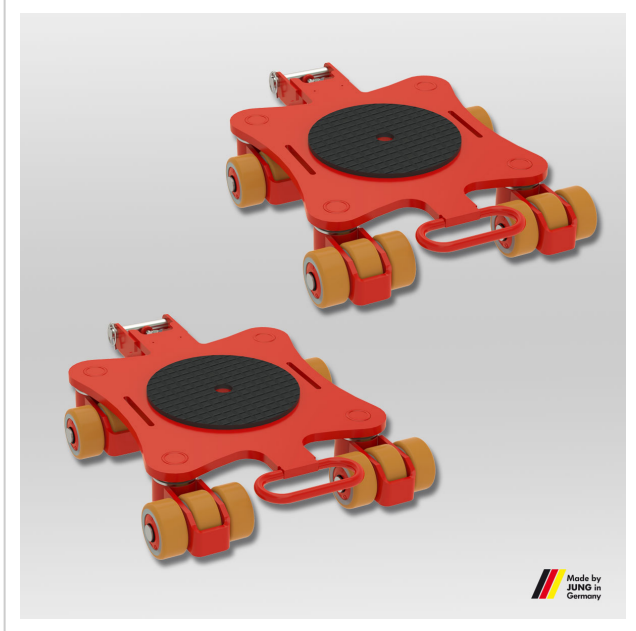
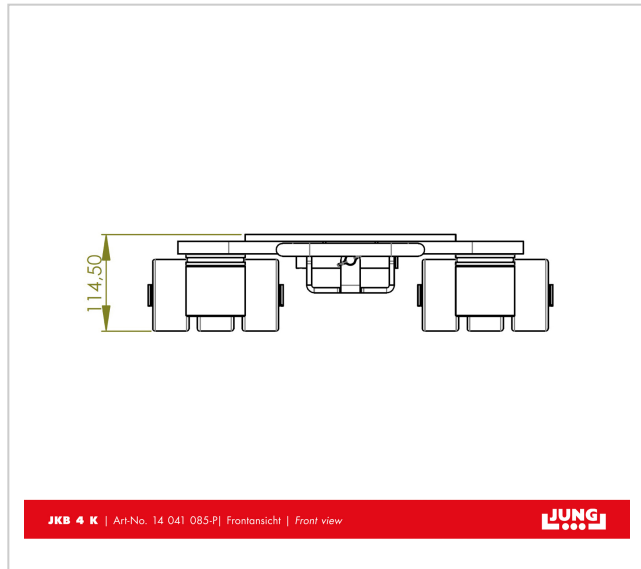
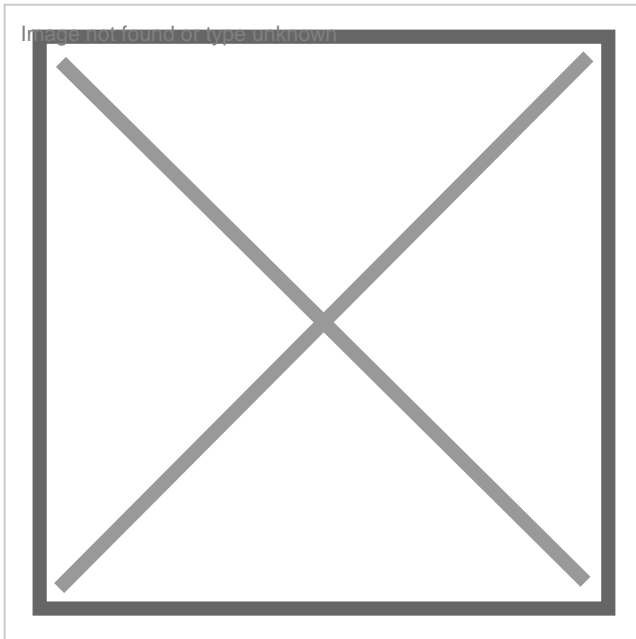
- The set consists of 2 JKB 43 K rotating dollies.
- Optional connecting bars can be fixed without tools by clamping down on adapter.
- High load capacity at low weight.
- Bearing supported swiveling castors allow 360° maneuverability.
- Mix and match revolving trolleys with transport trolleys: JKB 4 K has same height as transport trolleys series K.
- The JKB 4 K rotation trolleys, with an installation height of only 110 mm*, is suitable for all steering and transport trolleys of the K series.
- Unrivalled: The double roller system reduces rolling and turning resistance to a minimum.
- Using the slots in the platform, the trolley JKB 4 K can be affixed to the load with standard tiedown belts.
- In addition, all the rotational trolleys have a platform center hole to allow attachment to the load.
- For choosing the adequate revolving trolley we recommend a load of two-third of the maximum capacity. This will be the most advantageous compromise between payload, ergonomics and handling of the devices.
- Pulling handle and connecting bars available as accessories.
- Inspected according to technical regulation ANSI ? ASME (USA)

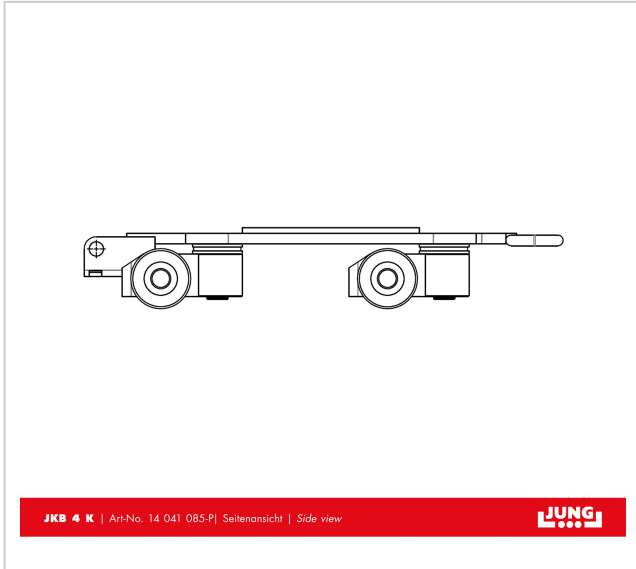
*) Due to technical changes, there may be tolerances of up to + 4.5 mm in the installation height since 2014.

Product properties

Cassette dimensions (mm)	690 x 475
Consist of	2 x JKB 4 K
Supporting surface per cassette (mm)	250
Load capacity (t)	8
Castor dimensions (Ø x l mm)	85 x 43
Weight JUWATHAN® (kg)	76
Height (mm)	110
Number of castors (Pieces)	2 x 12

More images





JKB 4 K | Art-No. 14.041.085-P | Seitenansicht | Side view

