

## JSET 20/3 - Hydraulik jack Set

High-quality hydraulic jack set from JUNG. The set JHS 20/3 contains two JHS 10 with hoses and handpump and is suitable for loads up to 20 t.

**Product number** 20 420 301-S

**Weight** 56kg



### Product description

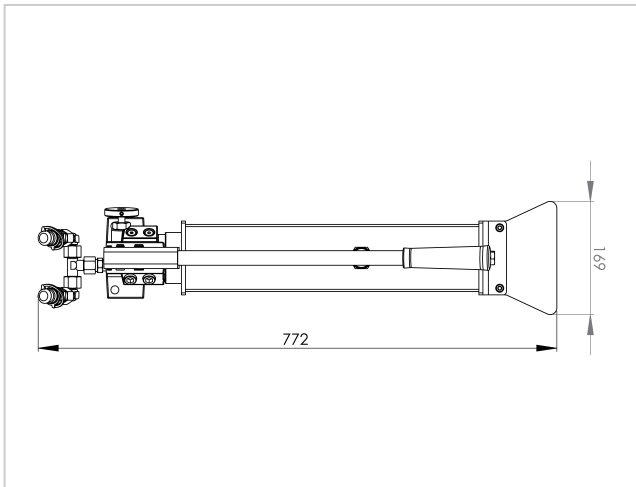
Advantages of jack sets – JSET 20/3

- The set contains 2 x jacks JHS 10, 2 x hoses JS 3 (3 m) and a handpump JP 26
- 180° revolving housing, this allows the jack to be placed with long or with short feet to the load, if there is no space under that.
- Extra-large lift height: JHS 10 with lift toe 260 mm, with top plate maximum 610 mm.
- Large load capacity – up to 20 metric tons in set - with low net weight, therefore perfect for use on site or on the way by frequent changes of location.
- Can also be used horizontally for pressing.
- Safe: because of the use of a separate pump and hoses, more safety distance to the load.

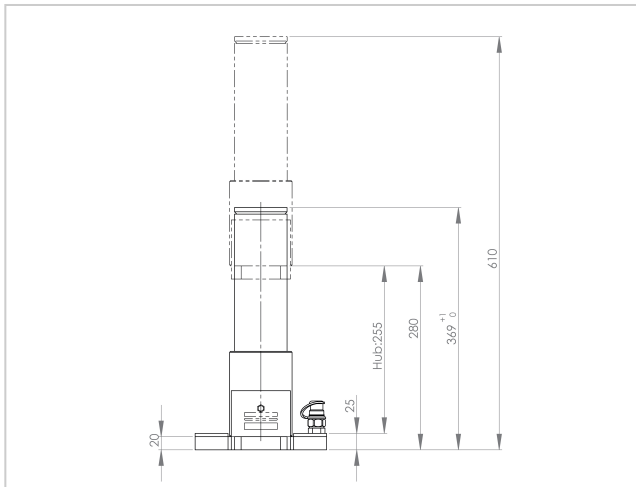
### Product properties

<b>Pump unit included</b>	Nein
<b>Maximum top plate height (mm)</b>	610
<b>Jack</b>	2 x JHS 10
<b>Pump</b>	JP 26
<b>Load capacity on top plate (t)</b>	10
<b>Hose</b>	2 x JS 3

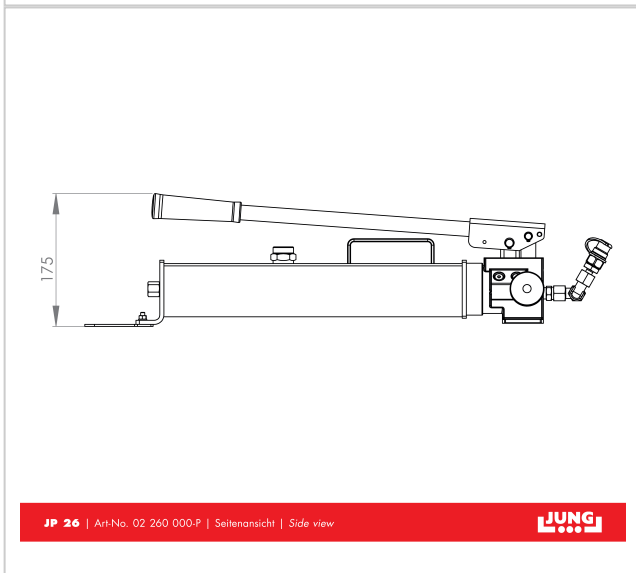
More images



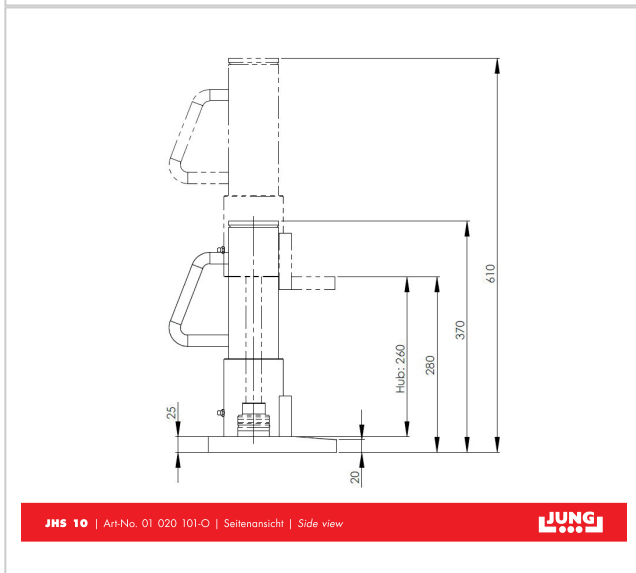
JP 26 | Art.No. 02 260 000-P | Draufsicht | Top view



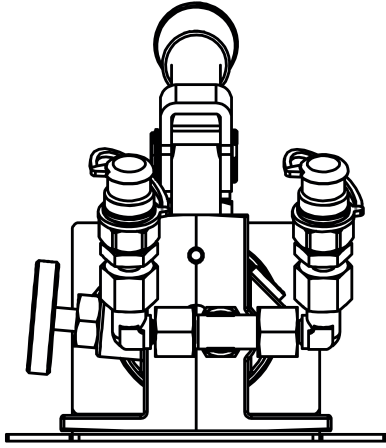
JHS 10 | Art.No. 01 020 101-O | Frontansicht | Front view



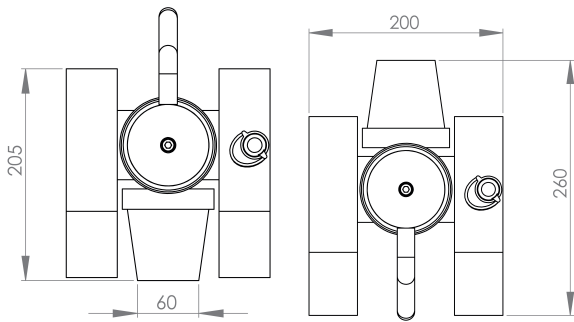
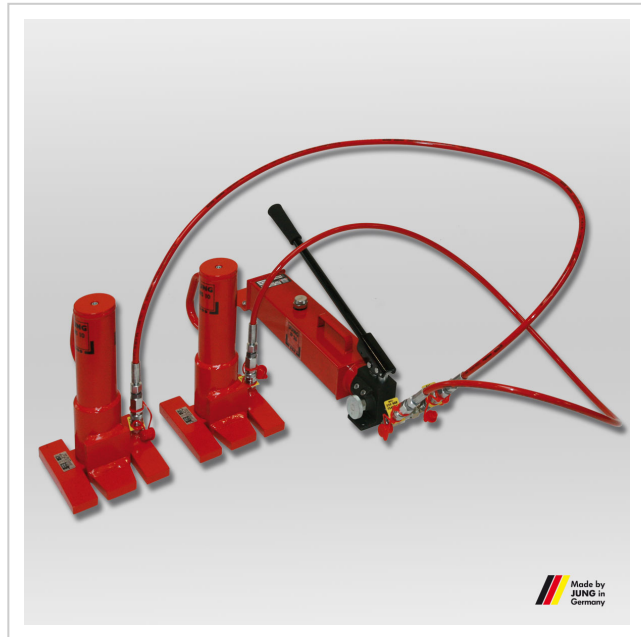
JP 26 | Art.No. 02 260 000-P | Seitenansicht | Side view



JHS 10 | Art.No. 01 020 101-O | Seitenansicht | Side view



JP 26 | Art-No. 02 260 000-P | Frontansicht | Front view



Lasche abgestützt / Supported toe

Lasche freistehend / Exposed toe

JHS 10 | Art-No. 01 020 101-O | Draufsicht | Top view

