

# JH 10 G plus EX Hydraulic jack

High-quality jack from JUNG. The hydraulic lifting device JH 10 G plus EX lifts a load of 10 t and reaches a maximum lifting height of 150 mm.

**Product number** 11 610 106-G

**Weight** 29kg

**Width** 247mm

**Height** 308mm



## Product description

Advantages of the hydraulic jack JH 10 G plus EX

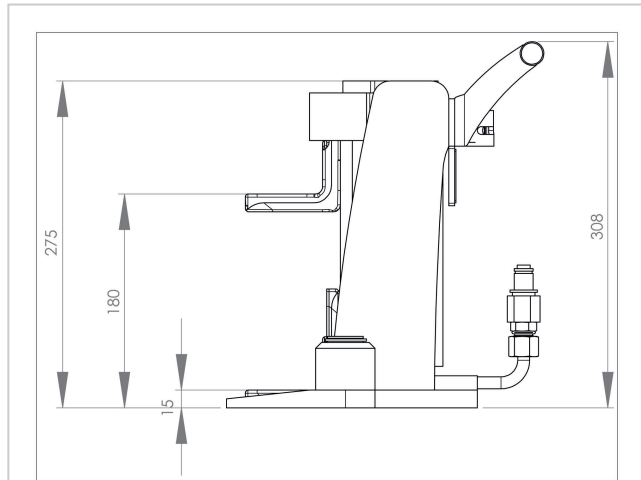
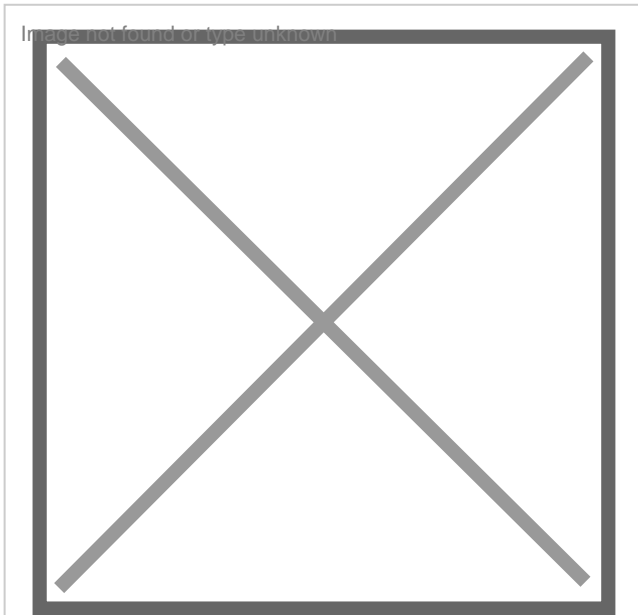
- version without a integrated pump unit

- Slide shoe design inside the guiding track prevents twisting of the piston inside the lifting cylinder. This guarantees better force distribution, less friction and reduced wear compared to conventional jacks.
- Reduced maintenance costs due to removable stroke unit and easy to change slide shoes.
- Extremely lightweight with high performance due to the use of highquality material and innovative design.
- Continuous adjustment to the load due to swiveling safety toe. Secure stability in every situation even in lifted position.

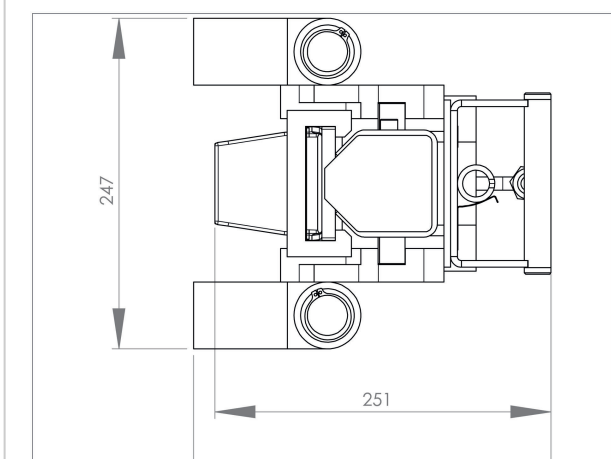
## Product properties

<b>Height (mm)</b>	308
<b>Length feet on side (mm)</b>	251
<b>Pump unit included</b>	Nein
<b>Lift toe adjustment</b>	5 x 41
<b>Toe depth (mm)</b>	55
<b>Top plate height (mm)</b>	275
<b>Width (mm)</b>	247
<b>Cylinder volume (l)</b>	0,3
<b>Minimum lift toe height (mm)</b>	15
<b>Length feet in front (mm)</b>	270
<b>Toe width front (mm)</b>	60
<b>Load capacity on top plate (t)</b>	10
<b>Stroke (mm)</b>	150

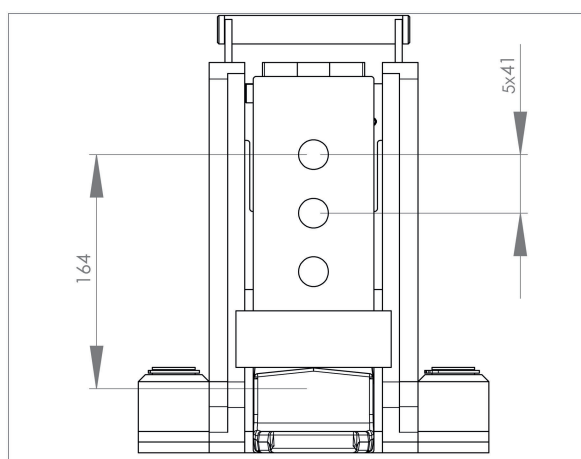
More images



JH 10 G plus EX | Art.No. 11 610 106-G | Seitenansicht | Side view



JH 10 G plus EX | Art.No. 11 610 106-G | Draufsicht | Top view



JH 10 G plus EX | Art.No. 11 610 106-G | Frontansicht | Front view



