

JH 20 G plus - Hydraulic jack

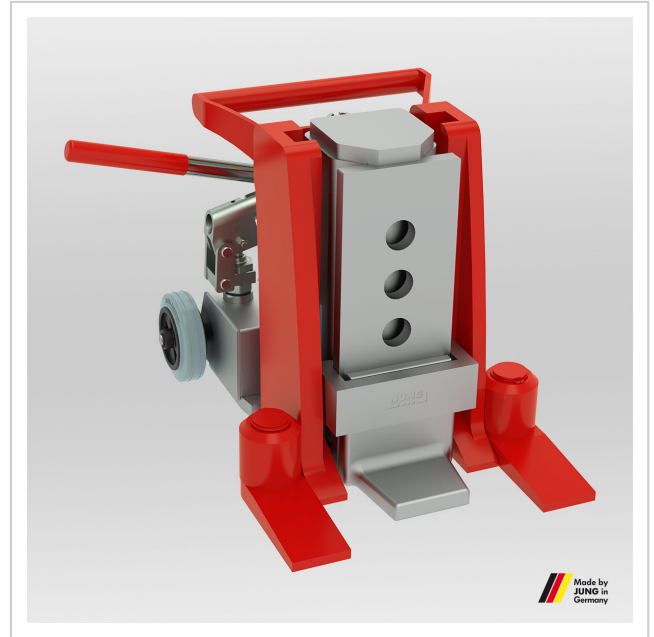
High-quality machine lifter from JUNG. The hydraulic lifting device JH 20 G plus lifts a load of 20 t and reaches a maximum lifting height of 190 mm.

Product number 01 200 102-G

Weight 60kg

Width 322mm

Height 340mm



Product description

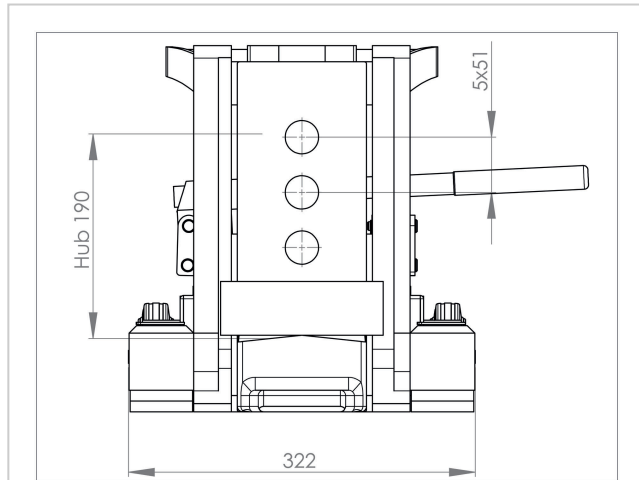
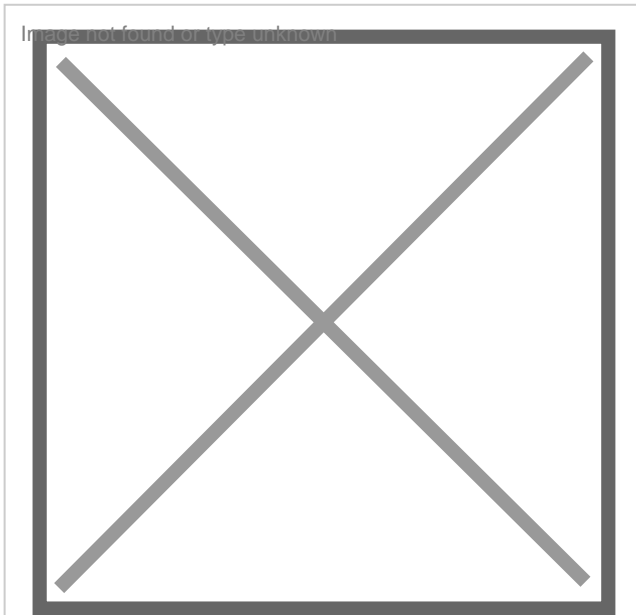
Qualities of the hydraulic jack JH 20 G plus

- Slide shoe design inside the guiding track prevents twisting of the piston inside the lifting cylinder. This guarantees better force distribution, less friction and reduced wear compared to conventional jacks.
- Reduced maintenance costs due to easy change slide shoes and removable pump unit.
- Extremely lightweight with high performance due to the use of highquality material and innovative design.
- Continuous adjustment to the load due to swiveling safety toe. Secure stability in every situation even in lifted position.
- The hydraulic jack JH 20 G plus is serially outfitted with a fast stroke and also available with a spring return.
- Die-forged steel toe provides impact resistance.

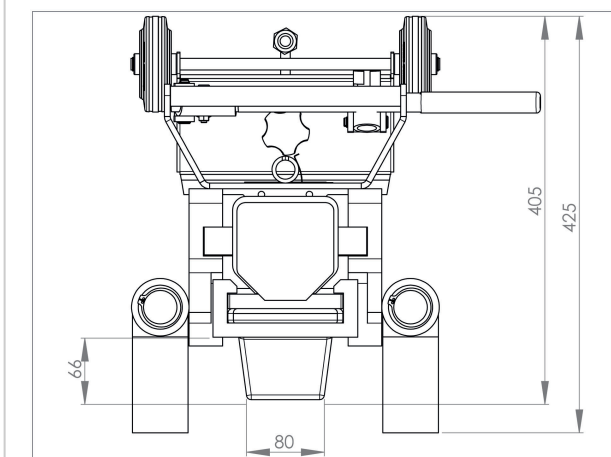
Product properties

Toe depth (mm)	64
Load capacity on top plate (t)	20
Toe width front (mm)	80
Length feet on side (mm)	405
Minimum lift toe height (mm)	20
Stroke (mm)	190
Maximum lift toe height (mm)	225
Lift toe adjustment	5 x 51
Top plate height (mm)	340
Height (mm)	340
Cylinder volume (l)	0,73
Pump unit included	Ja
Width (mm)	322
Length feet in front (mm)	425

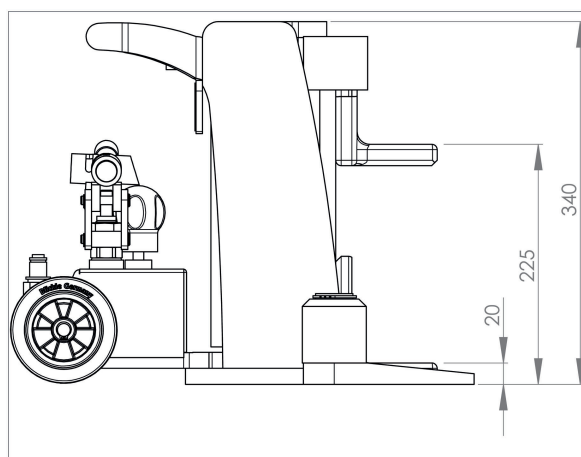
More images



JH 20 G plus | Art.No. 01 200 102-G | Frontansicht | Front view



JH 20 G plus | Art.No. 01 200 102-G | Draufsicht | Top view



JH 20 G plus | Art.No. 01 200 102-G | Seitenansicht | Side view



