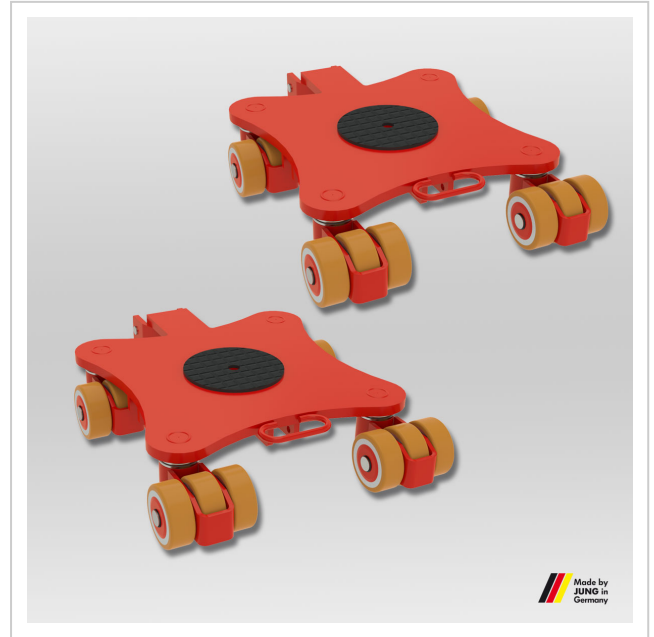


Revolving transport trolley JKB 14 G Set

Agile and powerful revolving transport trolley from JUNG. The JKB 14 G transport trolley set transports loads up to 28 t with an installation height of 180 mm.

Product number 14 140 140-DVu

Weight 254kg



Product description

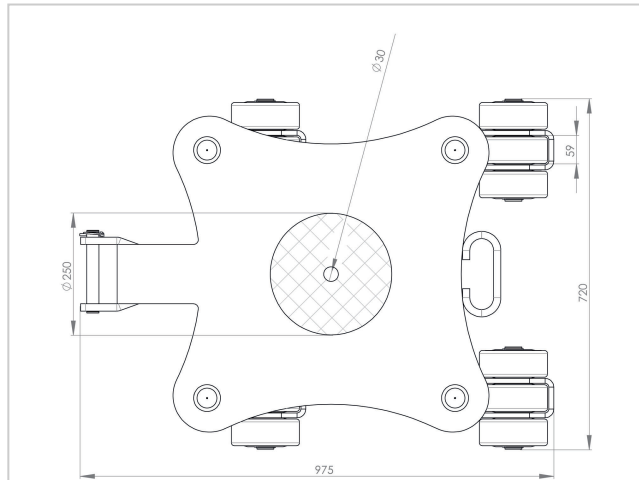
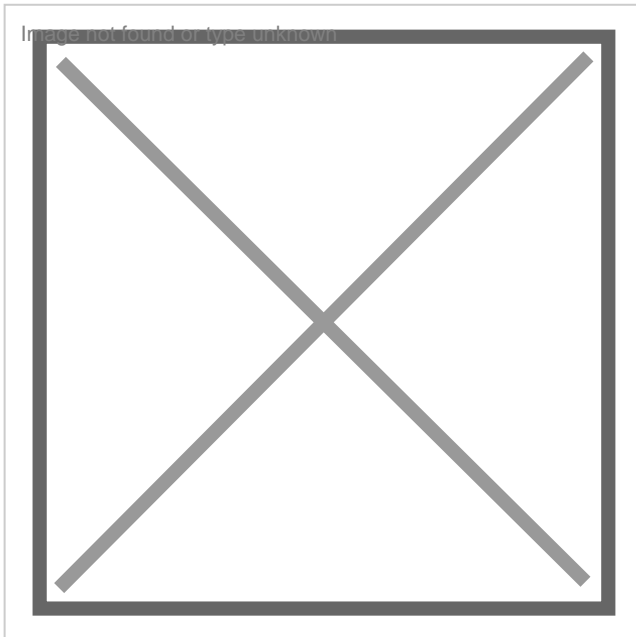
Qualities of the revolving transport trolley set JKB 14 G with JUWATHAN castors

- High load capacity at low weight.
- Bearing supported swiveling castors allow 360° maneuverability.
- JKB 14 G has same height as transport trolleys series G.
- Optional connecting bars can be offered up to 3 m length.
- Inspected according to technical regulation ANSI ? ASME (USA)
- Unrivalled: The narrow castors reduce rolling and turning resistance to a minimum.
- In addition, all the rotational trolleys have a platform center hole to allow attachment to the load.
- For choosing the adequate revolving trolley we recommend a load of two-third of the maximum capacity. This will be the most advantageous compromise between payload, ergonomics and handling of the devices.
- Pulling handle and connecting bars available as accessories.

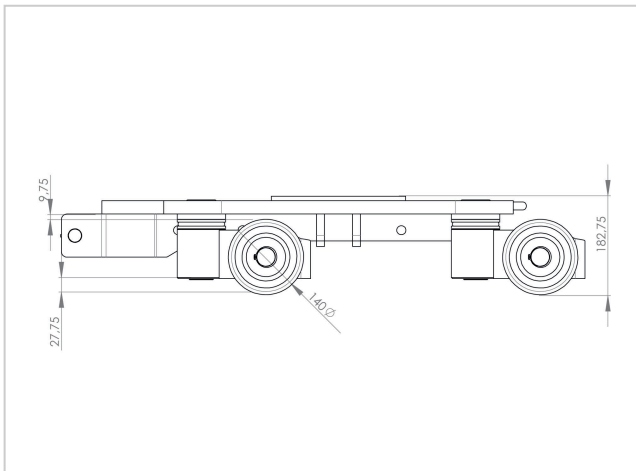
Product properties

Supporting surface per cassette (mm)	250
Cassette dimensions (mm)	975 x 720
Load capacity (t)	28
Castor dimensions (Ø x l mm)	140 x 59
Weight JUWATHAN® (kg)	296
Number of castors (Pieces)	2 x 12
Height (mm)	180
Consist of	2 x JKB 14 G

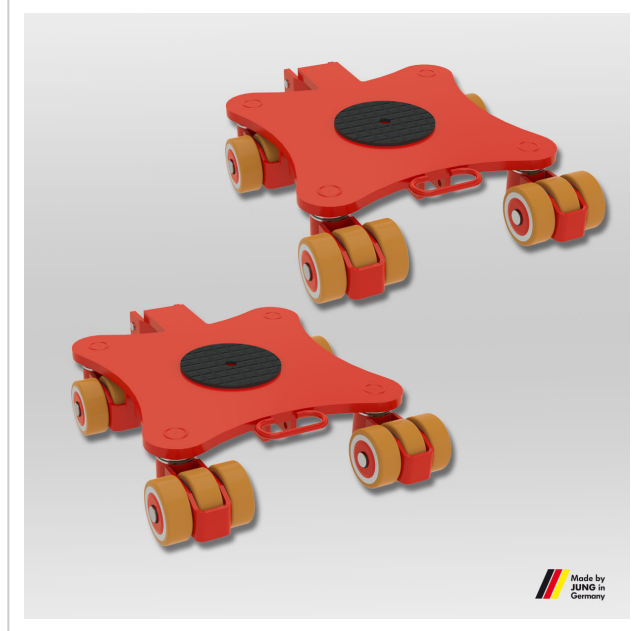
More images



JKB 14 G | Art.No. 14 140 140-VU | Draufsicht | Top view



JKB 14 G | Art.No. 14 140 140-VU | Seitenansicht | Side view



Made by JUNG in Germany