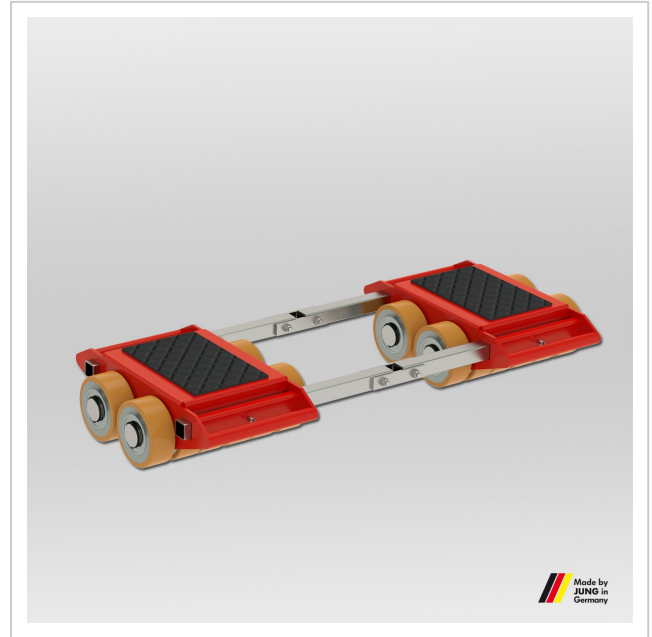


# Adjustable trolley JFB 60 H Professional

Power and stability - the JLB 60 H transport trolley from JUNG can lift loads of up to 60 t with an installation height of 230 mm.

**Product number** 10 600 206-H

**Weight** 412kg



## Product description

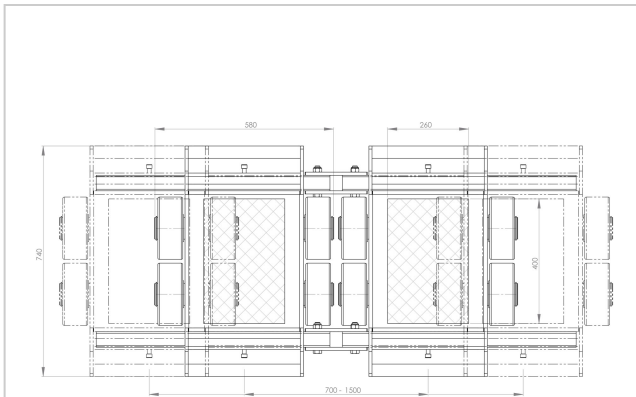
Advantages of transport trolleys JFB 60 H professional

- Unrivalled: Small and lightweight trolleys at super high capacity.
- Steerable transport trolleys with pivoting cassettes for a better load distribution at all castors and the floor.
- All transport trolleys are ready for use: the steerable transport trolley is fitted with a ball bearing supported turntable and a handlebar. The adjustable-width transport trolley consists of two transport units and connecting bar.
- Also available as Professional version with JUWathan twin castors: the double castor design results in dramatically easier steering due to reduced friction forces in curves. The much lower friction resistance also causes the castors on the rear axis to follow in a truer course.

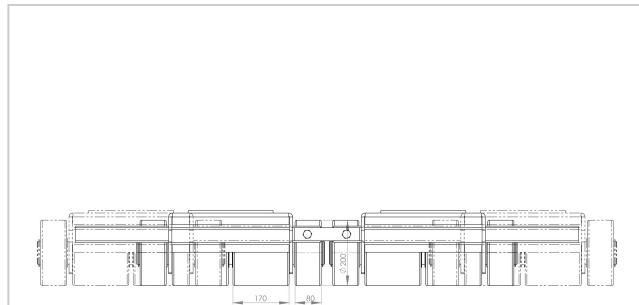
## Product properties

<b>Number of twin castors (pcs.)</b>	2 x 12
<b>Cassettes adjustable from - to (mm)</b>	700 - 1 500
<b>Weight JUWathan® (kg)</b>	412
<b>Height (mm)</b>	230
<b>Supporting surface per cassette (mm)</b>	400 x 260
<b>Connecting bar with joint (mm)</b>	2 x 1 540
<b>Cassette dimensions (mm)</b>	740 x 580
<b>Load capacity (t)</b>	60
<b>Castor dimensions (Ø x l mm)</b>	200 x 85
<b>Load capacity (suitable)</b>	81 - 200 t

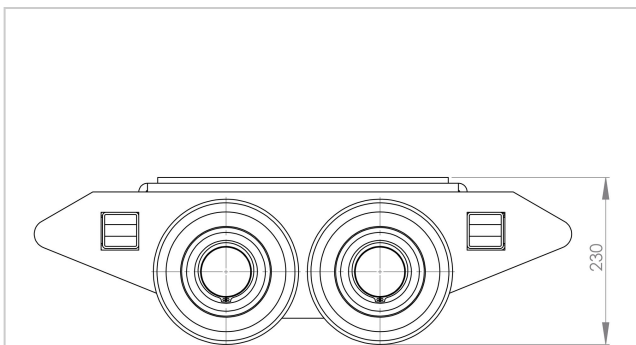
## More images



JFB 60 H | Art-No. 10 600 200-H | Draufsicht | Top view



JFB 60 H | Art-No. 10 600 200-H | Frontansicht | Front view



JFB 60 H | Art-No. 10 600 200-H | Seitenansicht | Side view

