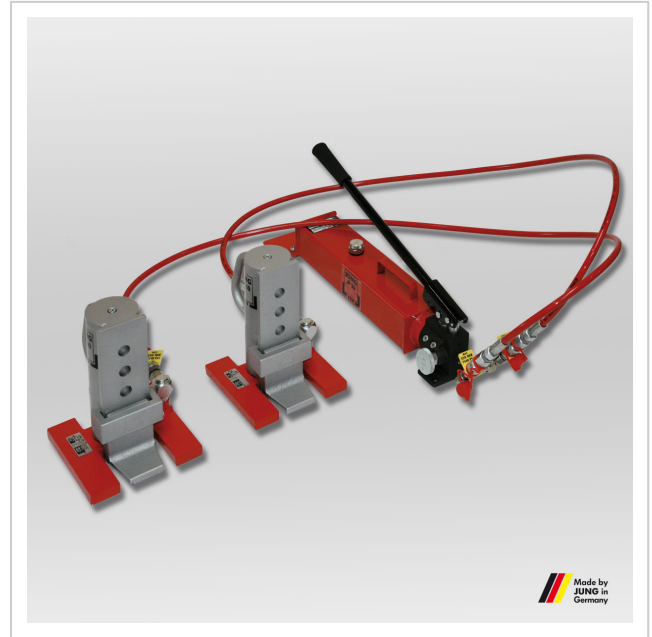


JSET 20/3 ku - Hydraulik jack set

High-quality hydraulic jack set from JUNG. The set JHS 20/3 contains two JHS 10 short version with hoses and handpump and is suitable for loads up to 20 t.

Product number 20 420 305-S

Weight 56kg



Product description

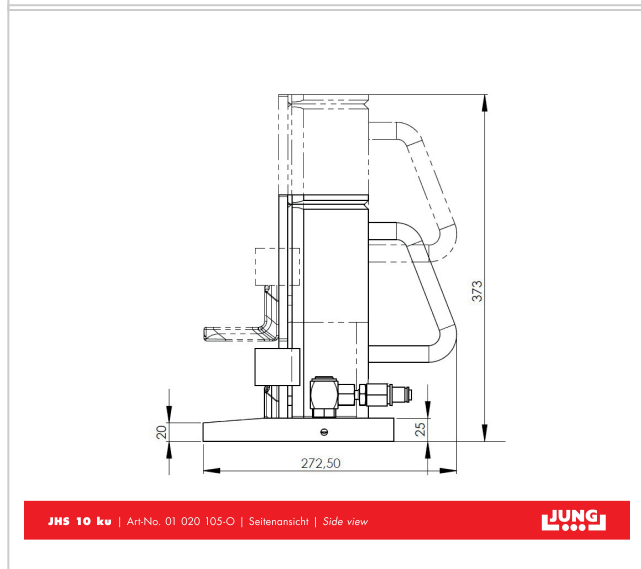
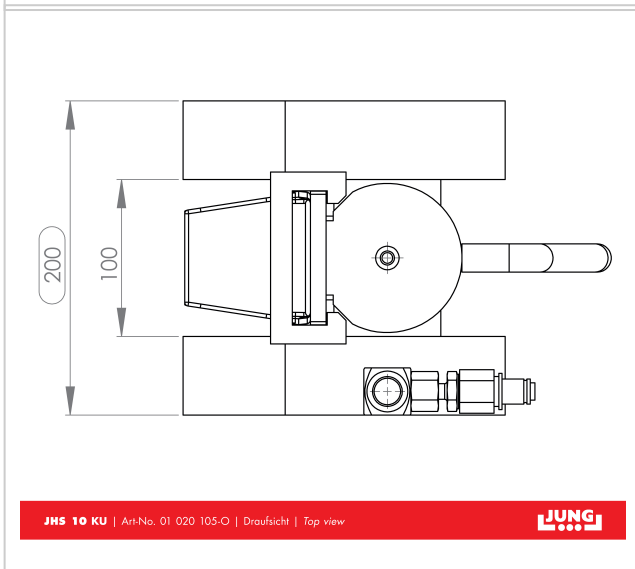
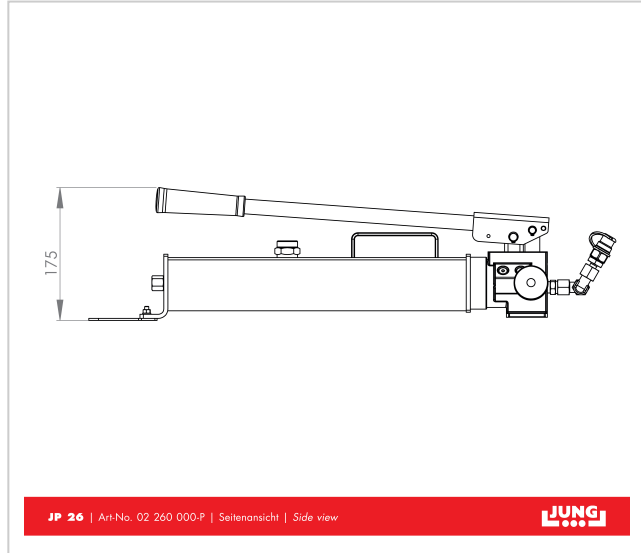
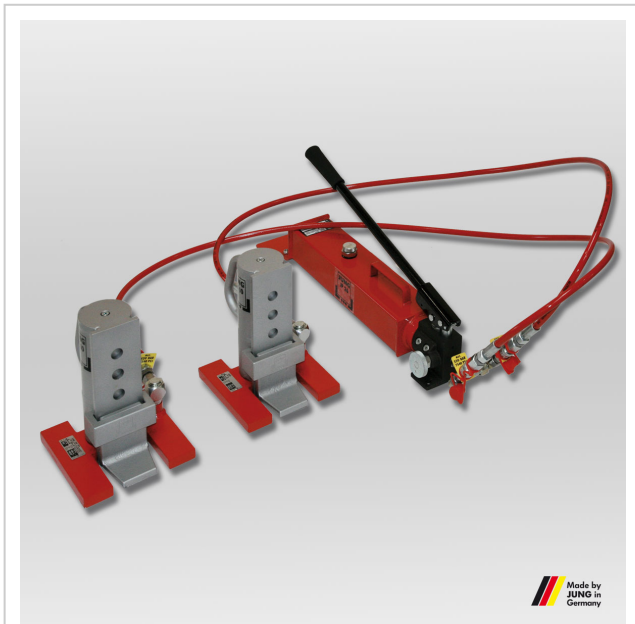
Advantages of jack sets – JSET 20/3 ku

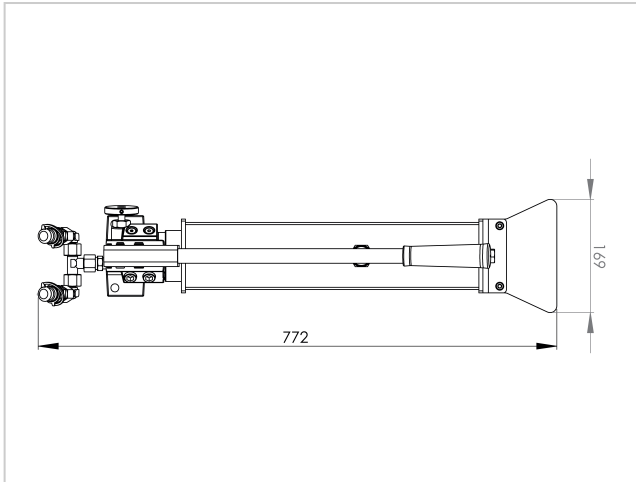
- The set contains 2 x jacks JHS 10 ku, 2 x hoses JS 3 (3 m) and a handpump JP 26
- 180° revolving housing, this allows the jack to be placed with long or with short feet to the load, if there is no space under that.
- High capacity at low weight.
- Pump unit separated from jack, flexible use, ideal also for confined spaces, also operates in horizontal position.
- Swiveling lifting toe assures optimal adjustment to the load, along with safe and stable support even in raised position.
- Swiveling elbowed nipple allows hose connection from various directions.
- JHS 10 ku as set (JSET 20/3 ku) suits perfectly to the container transport trolleys.

Product properties

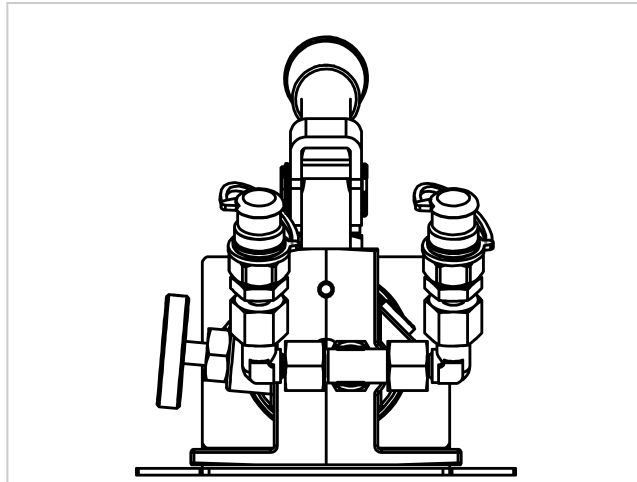
Maximum top plate height (mm)	370
Pump unit included	Nein
Pump	JP 26
Jack	2 x JHS 10 ku
Load capacity on top plate (t)	10
Hose	2 x JS 3

More images

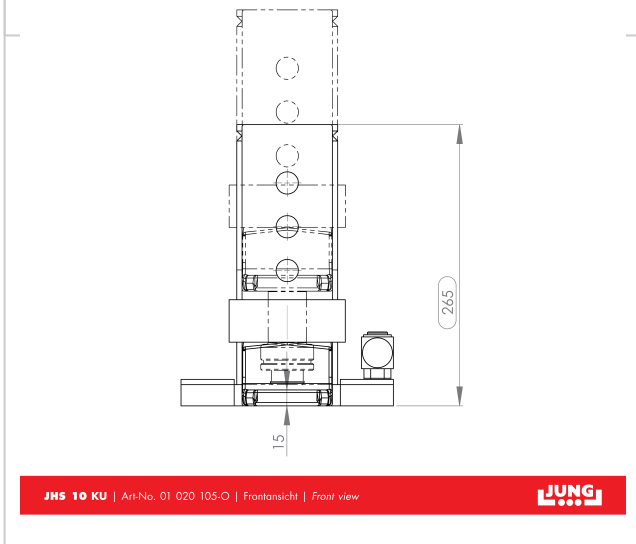




JP 26 | Art.No. 02 260 000-P | Draufsicht | Top view



JP 26 | Art.No. 02 260 000-P | Frontansicht | Front view



JHS 10 KU | Art.No. 01 020 105-O | Frontansicht | Front view