

JSET 10/3 kurz - Hydraulik jack set

High-quality hydraulic jack set from JUNG. The set JHS 10/3 contains a JHS 10 short version with hose and handpump and is suitable for loads up to 10 t.

Product number 20 410 305-S

Weight 35kg



Product description

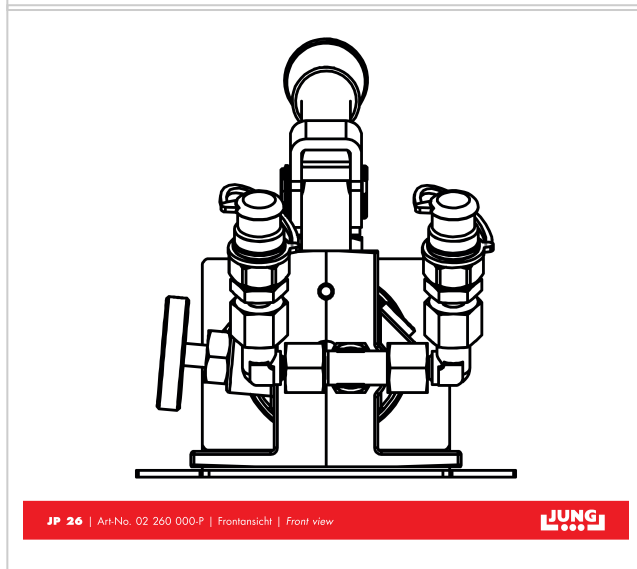
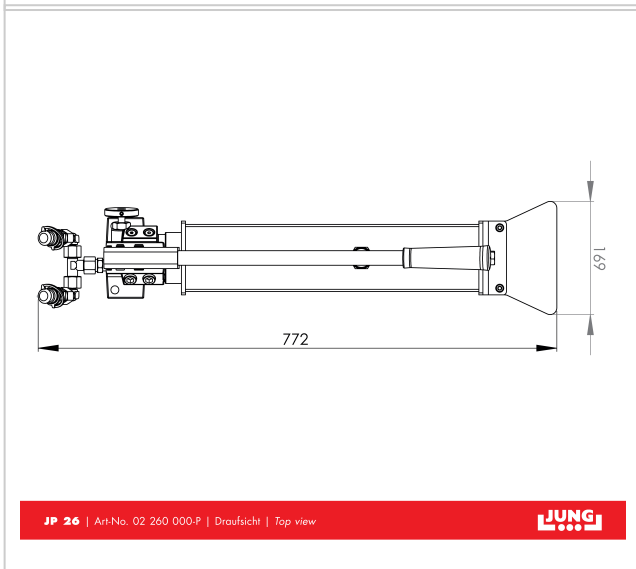
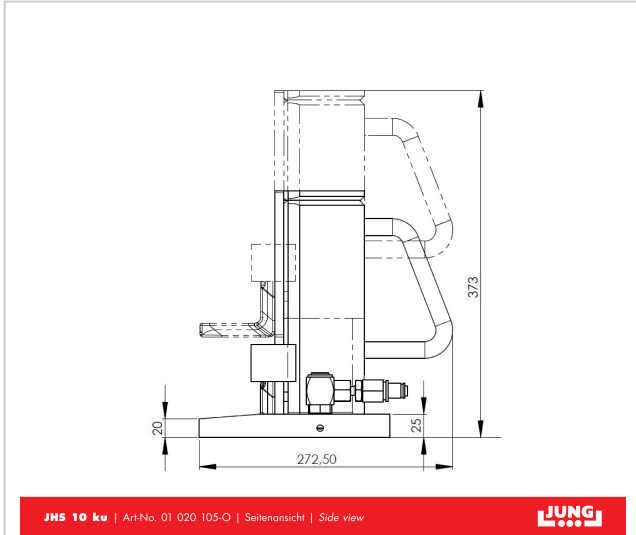
Advantages of jack sets – JSET 10/3 ku

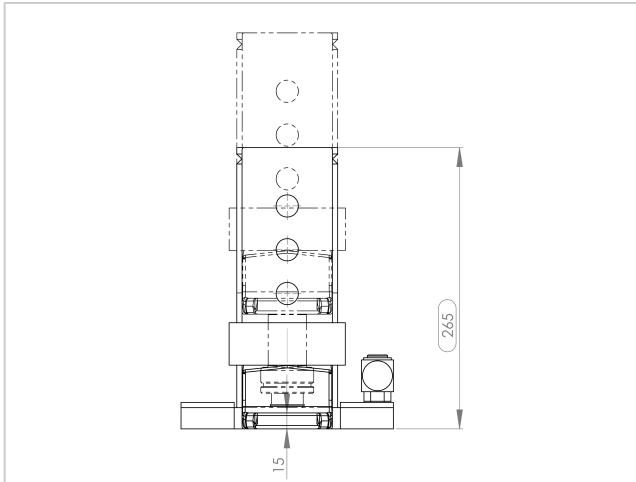
- The set contains 1 x jack JHS 10 ku, 1 x hose JS 3 (3 m) and a handpump JP 26
- 180° revolving housing, this allows the jack to be placed with long or with short feet to the load, if there is no space under that.
- High capacity at low weight.
- Pump unit separated from jack, flexible use, ideal also for confined spaces, also operates in horizontal position.
- Swiveling lifting toe assures optimal adjustment to the load, along with safe and stable support even in raised position).
- Swiveling elbowed nipple allows hose connection from various directions.
- JHS 10 ku as set (JSET 20/3 ku) suits perfectly to the container transport trolleys.

Product properties

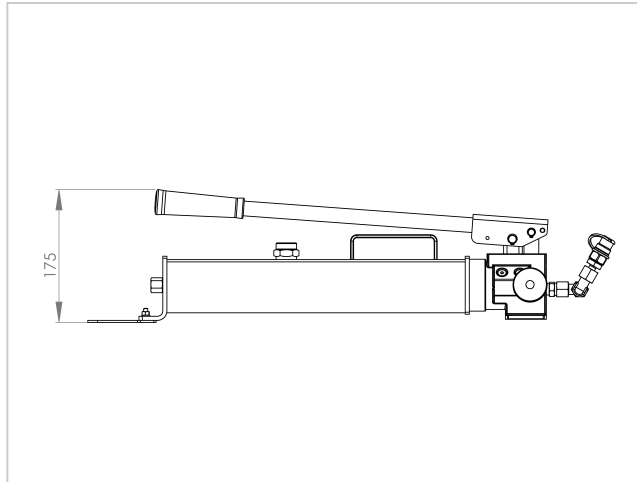
Maximum top plate height (mm)	370
Pump unit included	Nein
Pump	JP 26
Jack	1 x JHS 10 ku
Hose	1 x JS 3
Load capacity on top plate (t)	10

More images

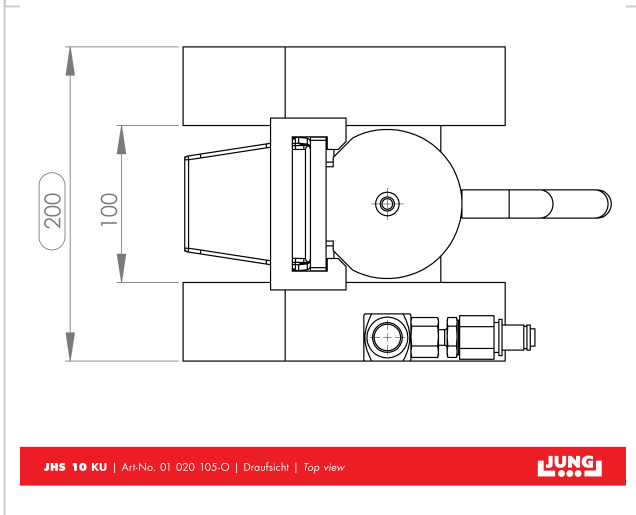




JHS 10 KU | Art.No. 01 020 103-O | Frontansicht | Front view



JP 26 | Art.No. 02 260 000-P | Seitenansicht | Side view



JHS 10 KU | Art.No. 01 020 103-O | Draufsicht | Top view