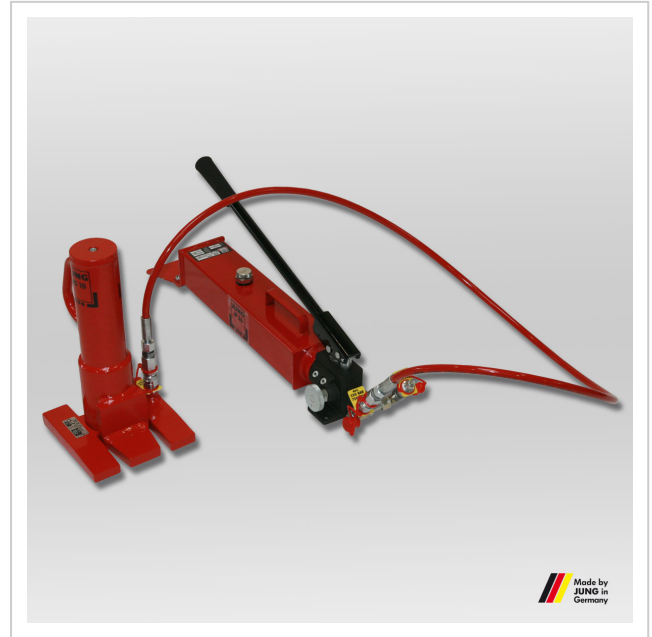


JSET 10/3 - Hydraulik jack set

High-quality hydraulic jack set from JUNG. The set JHS 10/3 contains a JHS 10 with hose and handpump and is suitable for loads up to 10 t.

Product number 20 410 301-S

Weight 35kg



Product description

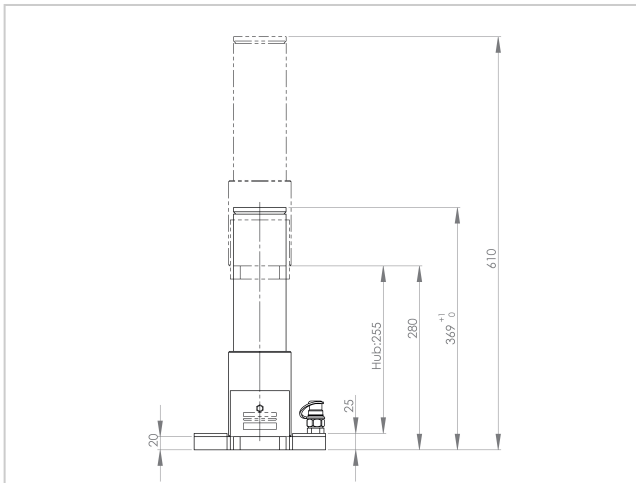
Advantages of jack sets – JSET 10/3

- The set contains 1 x jacks JHS 10, 1 x hose JS 3 (3 m) and a handpump JP 26
- 180° revolving housing, this allows the jack to be placed with long or with short feet to the load, if there is no space under that.
- Extra-large lift height: JHS 10 with lift toe 260 mm, with top plate maximum 610 mm.
- Large load capacity – up to 20 metric tons in set - with low net weight, therefore perfect for use on site or on the way by frequent changes of location.
- Can also be used horizontally for pressing.
- Safe: because of the use of a separate pump and hoses, more safety distance to the load.

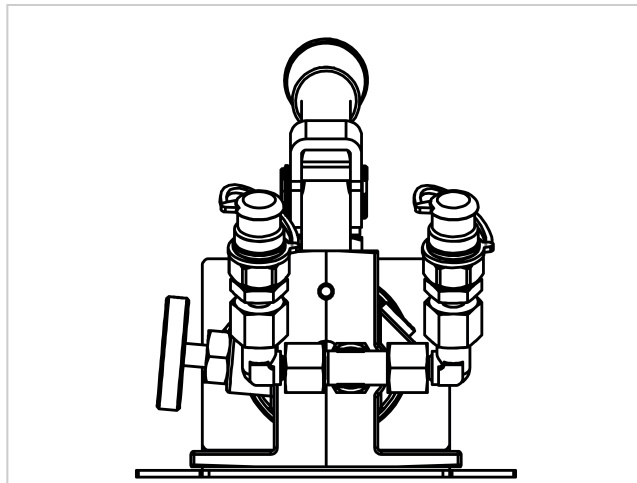
Product properties

Pump unit included	Nein
Maximum top plate height (mm)	610
Pump	JP 26
Hose	1 x JS 3
Jack	1x JHS 10
Load capacity on top plate (t)	10

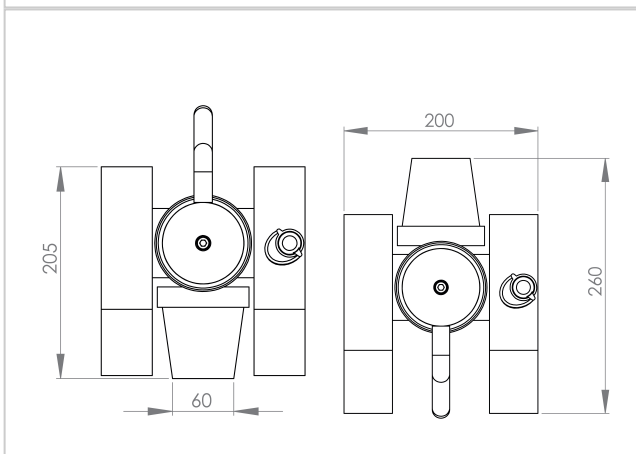
More images



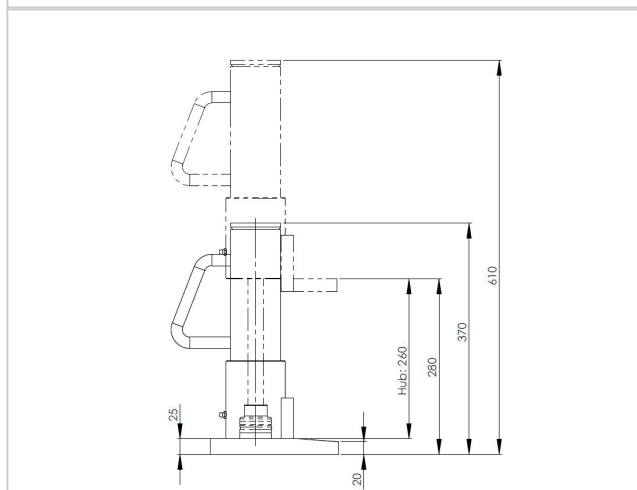
JHS 10 | Art.No. 01 020 101-O | Frontansicht | Front view



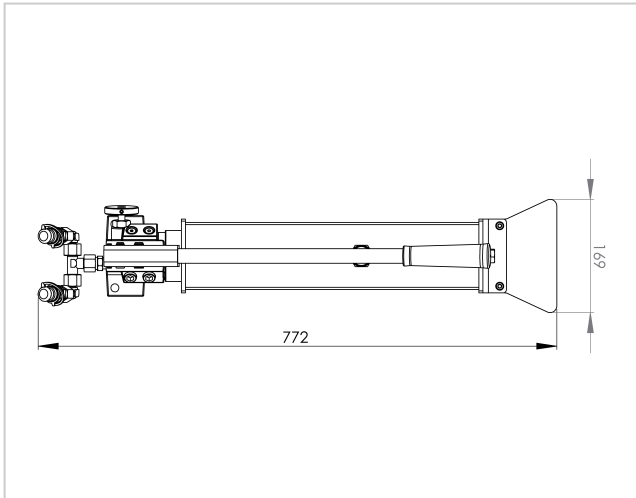
JP 26 | Art.No. 02 260 000-P | Frontansicht | Front view



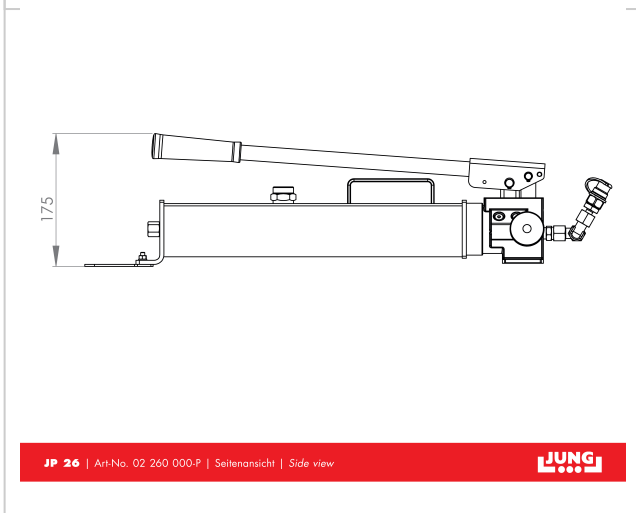
JHS 10 | Art.No. 01 020 101-O | Draufsicht | Top view



JHS 10 | Art.No. 01 020 101-O | Seitenansicht | Side view



JP 26 | Art.No. 02 260 000-P | Draufsicht | Top view



JP 26 | Art.No. 02 260 000-P | Seitenansicht | Side view

