

# Hydraulic jack JH 30 G plus EX

High-quality jack from JUNG. The hydraulic lifting device JH 30 G plus EX lifts a load of 30 t and reaches a maximum lifting height of 200 mm.

**Product number** 11 630 106-G

**Weight** 95kg

**Width** 375mm

**Height** 420mm



## Product description

Qualities of the hydraulic jack JH 30 G plus EX

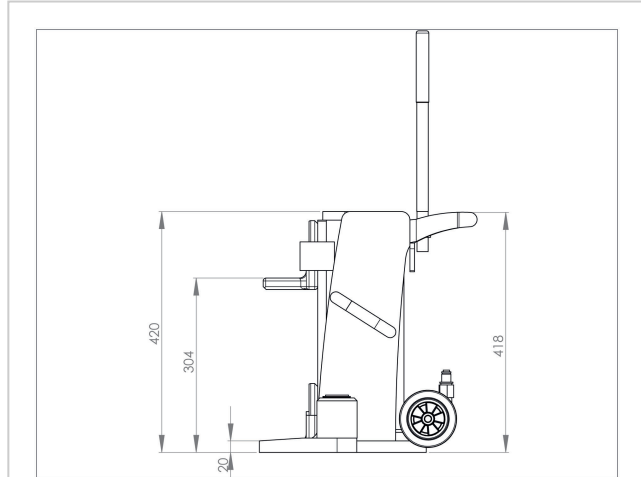
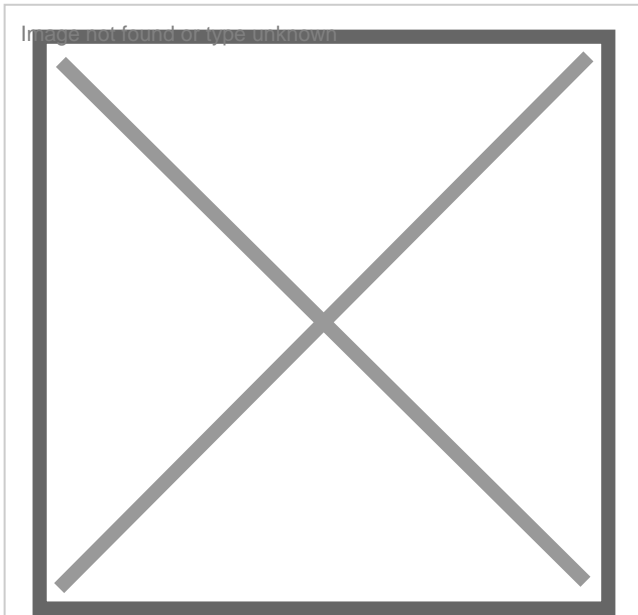
- version without a integrated pump unit

- Integrated spring return retracts piston automatically on JH 30 G plus EX.
- Slide shoe design inside the guiding track prevents twisting of the piston inside the lifting cylinder. This guarantees better force distribution, less friction and reduced wear compared to conventional jacks.
- Reduced maintenance costs due to removable stroke unit and easy to change slide shoes.
- Extremely lightweight with high performance due to the use of highquality material and innovative design.
- Continuous adjustment to the load due to swiveling safety toe. Secure stability in every situation even in lifted position.

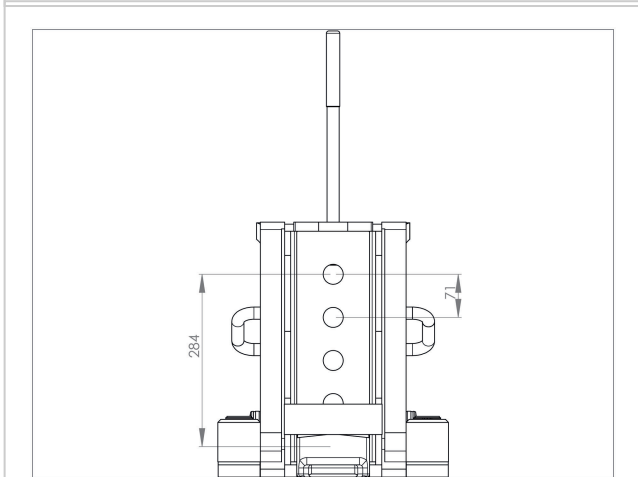
## Product properties

<b>Toe depth (mm)</b>	64
<b>Maximum lift toe height (mm)</b>	304
<b>Length feet on side (mm)</b>	370
<b>Pump unit included</b>	Nein
<b>Width (mm)</b>	375
<b>Length feet in front (mm)</b>	380
<b>Toe width front (mm)</b>	80
<b>Cylinder volume (l)</b>	1,27
<b>Minimum lift toe height (mm)</b>	20
<b>Top plate height (mm)</b>	420
<b>Lift toe adjustment</b>	5 x 71
<b>Height (mm)</b>	420
<b>Stroke (mm)</b>	200
<b>Load capacity on top plate (t)</b>	30

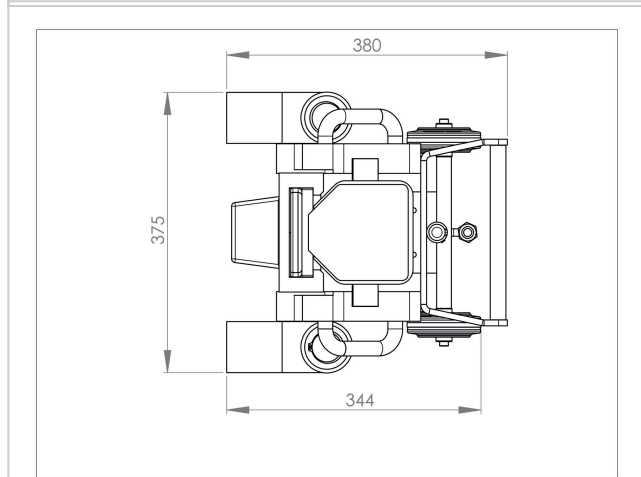
More images



JH 30 G plus EX | Art.No. 11 630 106-G | Seitenansicht | Side view



JH 30 G plus EX | Art.No. 11 630 106-G | Frontansicht | Front view



JH 30 G plus EX | Art.No. 11 630 106-G | Draufsicht | Top view



