

Revolving transport trolley JKB 2 K

Agile and powerful revolving transport trolley from JUNG. The JKB 2 K transport trolley transports loads up to 2 t with an installation height of 110 mm.

Product number 14 020 085-P

Weight 20kg



Product description

Advantages of the revolving transport trolley JKB 2 K with JUWAmid

- Optional connecting bars can be fixed without tools by clamping down on adapter.
- Despite its low weight, the wheel assembly can transport heavy loads.
- The wheel assemblies are equipped with ball bearing swivel casters that allow for a 360-degree rotation. The narrow width of the casters on all rotary wheel assemblies minimizes the steering and turning resistance, enabling easy movement of the rotation wheel assemblies.
- Mix and match revolving trolleys with transport trolleys: With an installation height of only 110 mm*, the rotating transport trolley JKB 2 is compatible with all steering and transport undercarriages of the K series.
- All products are also available in a set of two with price advantage.
- Unrivalled: The double roller system reduces rolling and turning resistance to a minimum.
- All wheel assemblies have central drillings to secure the transported goods.
- For choosing the adequate revolving trolley we recommend a load of two-third of the maximum capacity. This will be the most advantageous compromise between payload, ergonomics and handling of the devices.
- Pulling handle and connecting bars available as accessories.

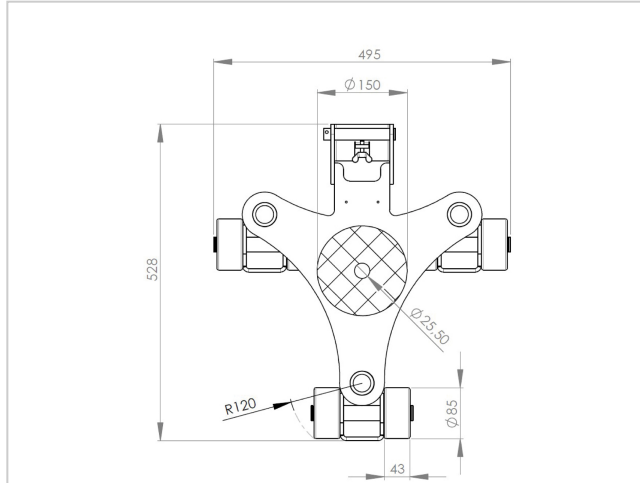
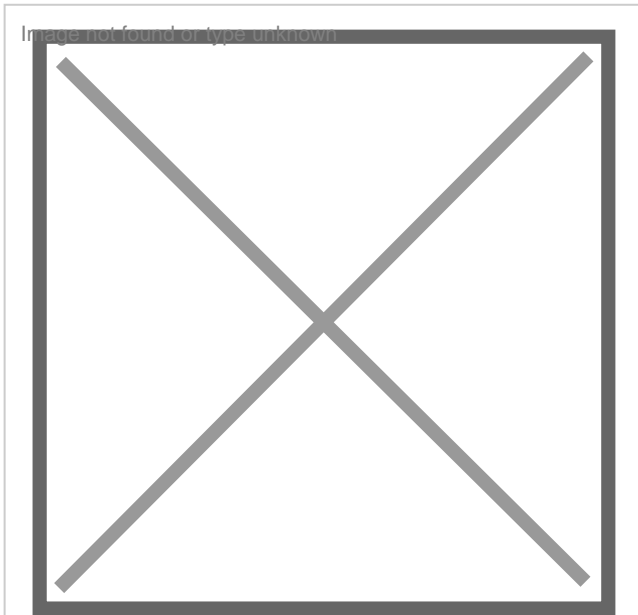
The rotary castors are equipped with JUWAmid wheels made of high-quality polyamide and each containing two ball bearings. These wheels are particularly suitable for flat and smooth industrial floors that have no significant contamination.

*) Due to technical changes, there may be tolerances of up to + 4.5 mm in the installation height since 2014.

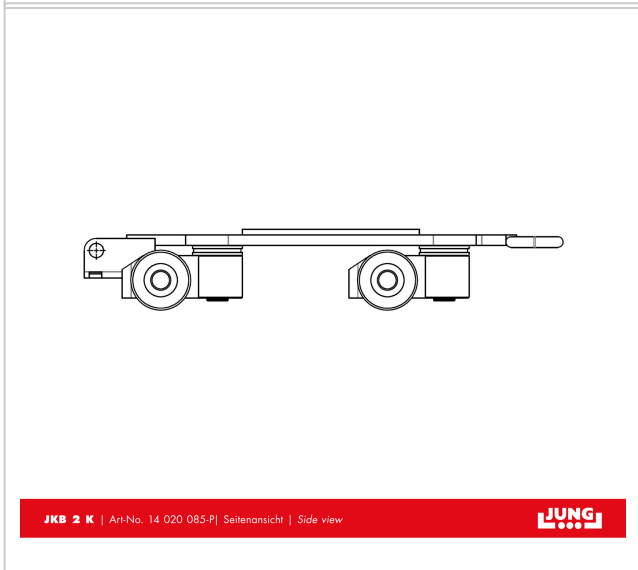
Product properties

Cassette dimensions (mm)	528 x 495
Castor dimensions (Ø x l mm)	85 x 43
Load capacity (suitable)	0 - 5 t
Height (mm)	110
Load capacity (t)	2
Consist of	1 x JKB 2 K
Weight JUWAmid (kg)	20
Number of castors (Pieces)	6
Supporting surface per cassette (mm)	150

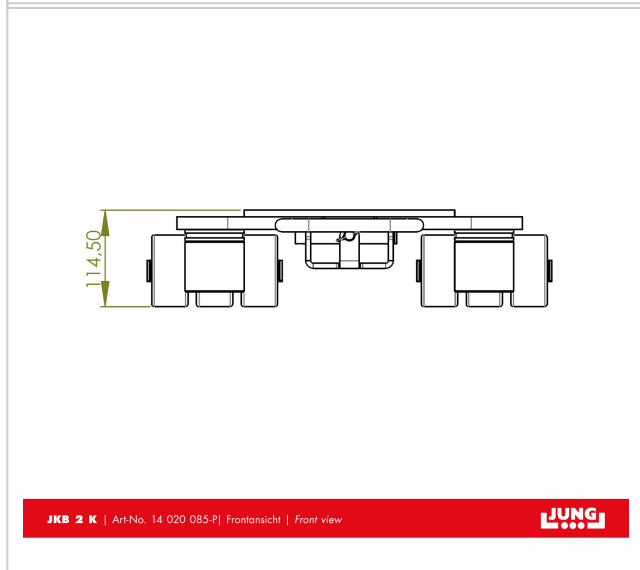
More images



JKB 2 K | Art.No. 14 020 085-P | Draufsicht | Top view



JKB 2 K | Art.No. 14 020 085-P | Seitenansicht | Side view



JKB 2 K | Art.No. 14 020 085-P | Frontansicht | Front view

