

JSET 5/2 - Hydraulic jack set

High-quality hydraulic jack set from JUNG. The set JHS 5/2 contains a JHS 5 with hose and handpump and is suitable for loads up to 5 t.

Product number 20 405 200-S

Weight 26kg



Product description

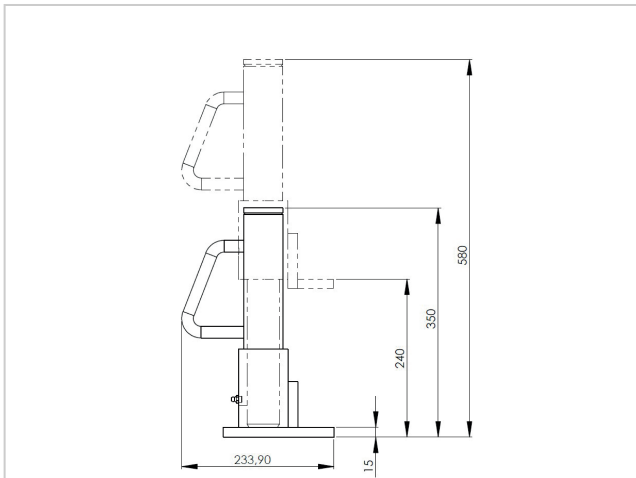
Advantages of jack sets – JSET 5/2

- The set contains 1 x jack JHS 5, 1 x hose JS 2 and a handpump JP 26
- 180° revolving housing, this allows the jack to be placed with long or with short feet to the load, if there is no space under that.
- Extra-large lift height: JHS 5 with lift toe 250 mm, with top plate maximum 585mm.
- Large load capacity with low net weight, therefore perfect for use on site or on the way by frequent changes of location.
- Can also be used horizontally for pressing.
- Safe: because of the use of a separate pump and hoses, more safety distance to the load.

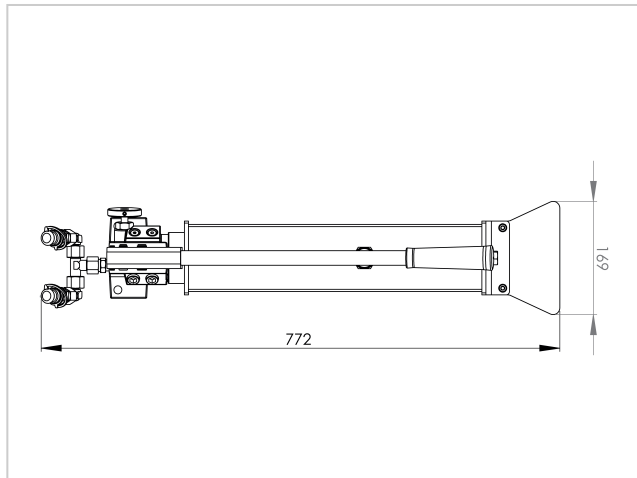
Product properties

Maximum top plate height (mm)	580
Pump unit included	Nein
Pump	JP 26
Load capacity on top plate (t)	5
Jack	1 x JHS 5
Hose	1 x JS 2

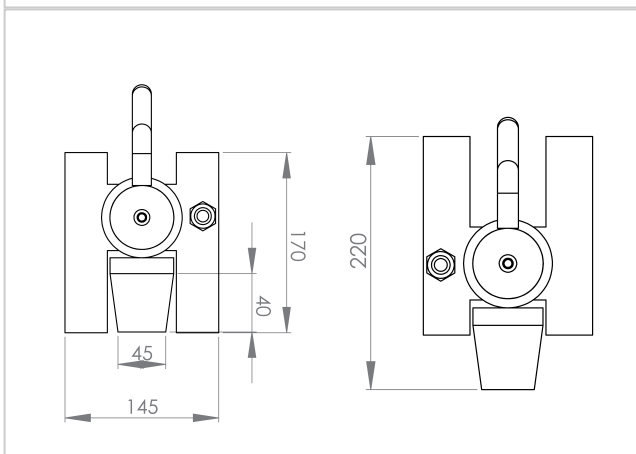
More images



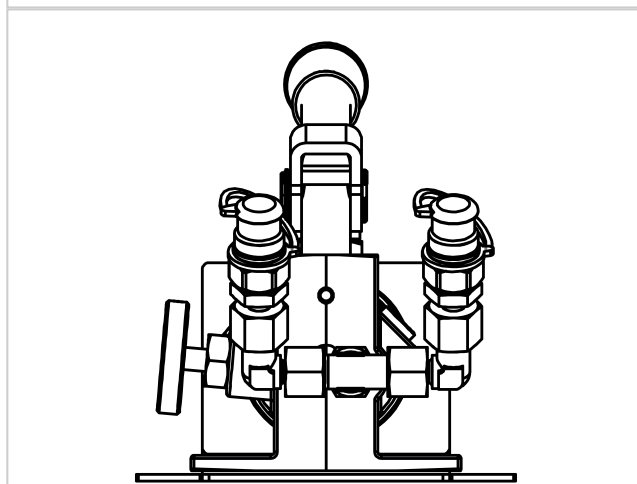
JHS 5 | Art.No. 01 020 050-O | Seitenansicht | Side view



JP 26 | Art.No. 02 260 000-P | Draufsicht | Top view



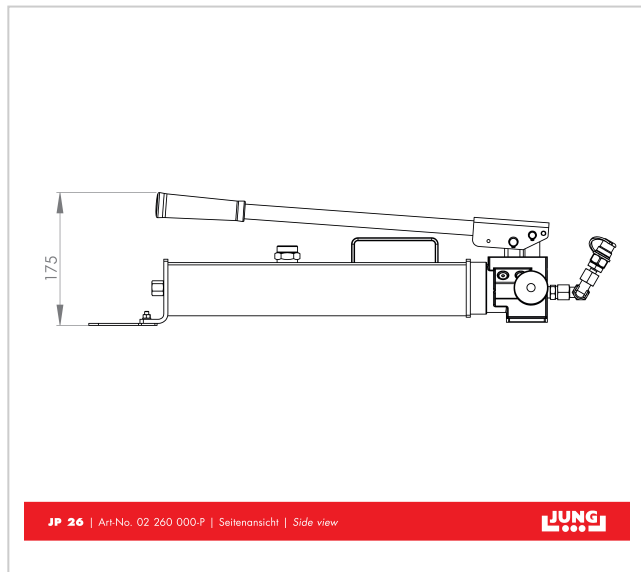
JHS 5 | Art.No. 01 020 050-O | Draufsicht | Top view



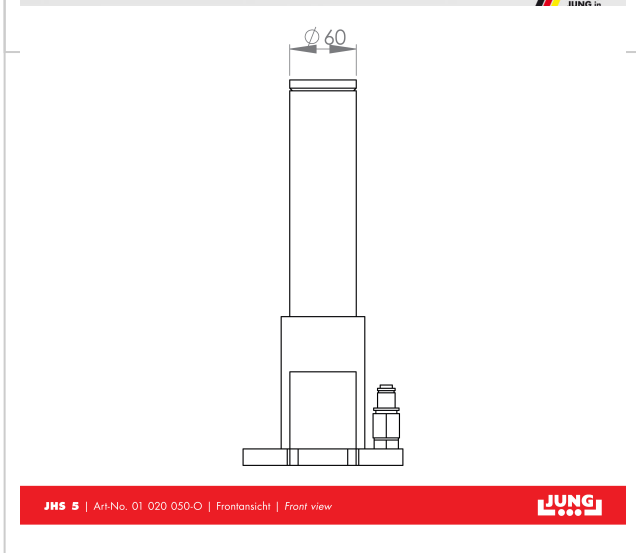
JP 26 | Art.No. 02 260 000-P | Frontansicht | Front view



Made by JUNG



JP 26 | Art.No. 02 260 000-P | Seitenansicht | Side view



JHS 5 | Art.No. 01 020 050-O | Frontansicht | Front view

