

# Steerable trolley JLB 7 K Professional

High-performance transport trolley from JUNG. The JLB 7 K professional steerable trolley transports loads up to 7 t with an installation height of 110 mm.

**Product number** 07 071 085-D

**Weight** 35kg



## Product description

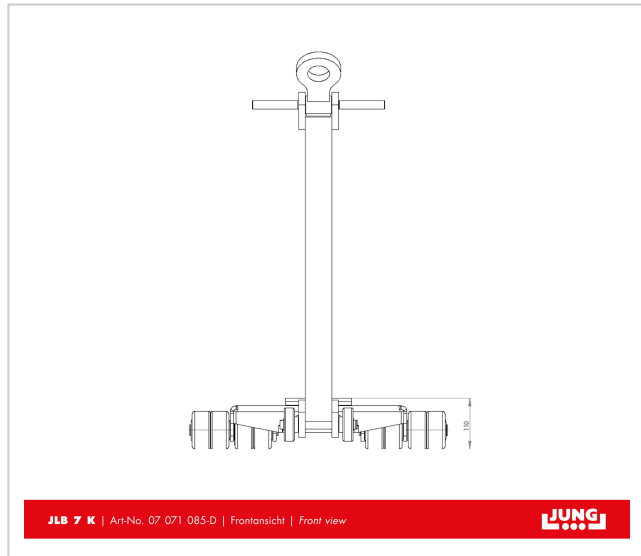
Advantages of the transport trolley JLB 7 K Professional

- The double roller design results in dramatically easier steering due to reduced friction forces in castors. The much lower friction resistance also causes the trolleys on the rear axis to follow in a truer course.
- You need 30 % less power for steering.
- Higher capacity with professional castors, at same dimension as series K trolleys.
- All transport trolleys are ready for use: the steerable transport trolley is fitted with a ball bearing supported turntable and a handlebar.
- The series K handlebars are now also available with a removable handle, which is also available as a re-fitting set.
- Non-marking support wheels.
- Inspected according to technical regulation ANSI ? ASME (USA)

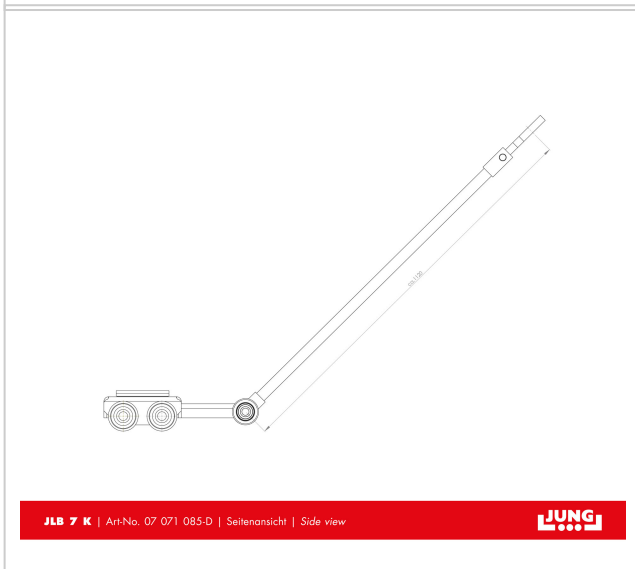
## Product properties

<b>Handlebar with pulling eye (mm)</b>	1 210
<b>Castor dimensions (Ø x l mm)</b>	85 x 85
<b>Number of twin castors (pcs.)</b>	8
<b>Load capacity (t)</b>	7
<b>Height (mm)</b>	110
<b>Weight Professional (kg)</b>	35
<b>Load capacity (suitable)</b>	11 - 15 t
<b>Supporting surface of turntable Ø (mm)</b>	150
<b>Dimensions steerable (mm)</b>	445 x 590

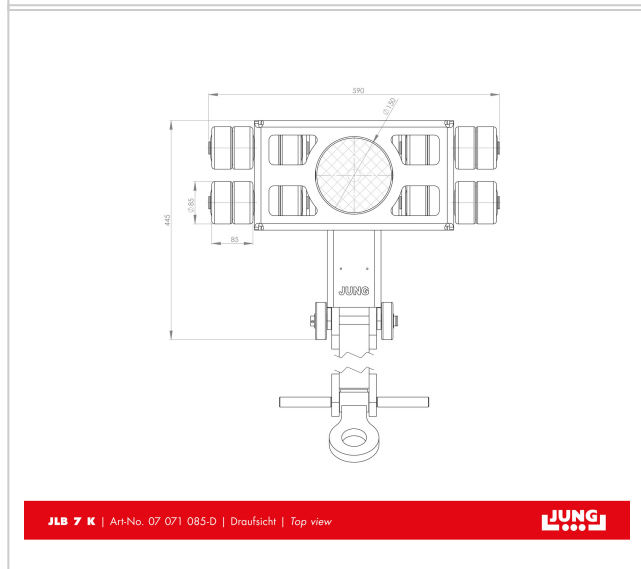
More images



JLB 7 K | Art.No. 07 071 085-D | Frontansicht | Front view



JLB 7 K | Art.No. 07 071 085-D | Seitenansicht | Side view



JLB 7 K | Art.No. 07 071 085-D | Draufsicht | Top view