

Revolving transport trolley JKB 4 Set

Agile and powerful revolving transport trolley from JUNG. The JKB 4 K transport trolley set transports loads up to 8 t with an installation height of 110 mm.

Product number 14 041 085-D

Weight 76kg



Product description

Qualities of the revolving transport trolley set JKB 4 K

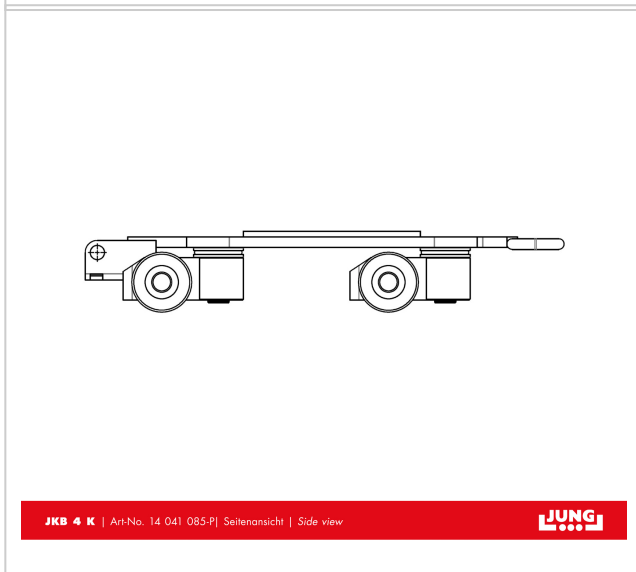
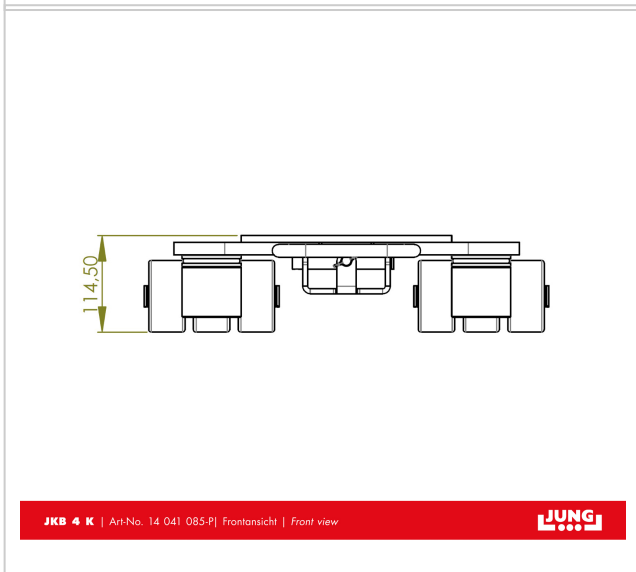
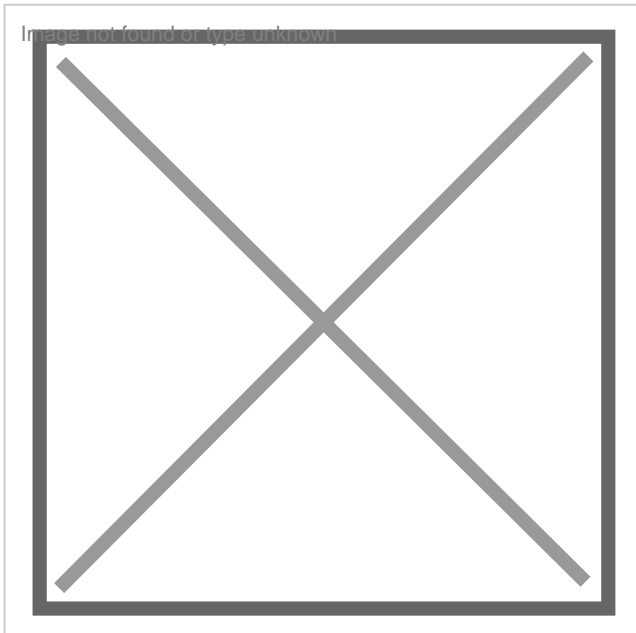
- The set consists of 2 JKB 4 K rotating trolleys.
- Optional connecting bars can be fixed without tools by clamping down on adapter.
- High load capacity at low weight.
- Bearing supported swiveling castors allow 360° maneuverability.
- The JKB 4 rotation wheel assembly, with an installation height of only 110 mm*, is suitable for all steering and transport wheel assemblies of the K series.
- All wheel assemblies have central drillings to secure the transported goods.
- All products are also available in a set of two with price advantage.
- Unrivalled: The double roller system reduces rolling and turning resistance to a minimum.
- Using the slots in the platform, the rotational trolleys JKB 4 - 8 can be affixed to the load with standard tiedown belts.
- For choosing the adequate revolving trolley we recommend a load of two-third of the maximum capacity. This will be the most advantageous compromise between payload, ergonomics and handling of the devices.
- Pulling handle and connecting bars available as accesories.

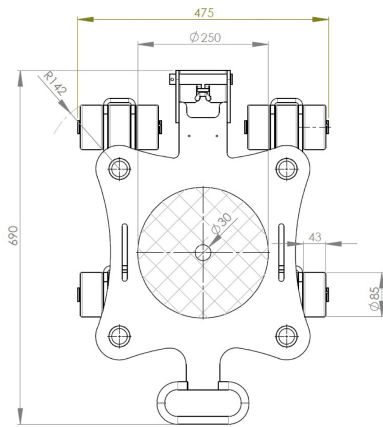
*) Due to technical changes, there may be tolerances of up to + 4.5 mm in the installation height since 2014.

Product properties

Cassette dimensions (mm)	690 x 475
Consist of	2 x JKB 4 K
Supporting surface per cassette (mm)	250
Load capacity (t)	8
Castor dimensions (Ø x l mm)	85 x 43
Height (mm)	110
Weight JUWAmid (kg)	76
Number of castors (Pieces)	2 x 12

More images





JKB 4 K | Art-No. 14 041 085-P | Draufsicht | Top view

