

# Revolving transport trolley JKB 4 K

Agile and powerful revolving transport trolley from JUNG. The JKB 4 K transport trolley transports loads up to 4 t with an installation height of 110 mm.

**Product number** 14 041 085-P

**Weight** 38kg



## Product description

Advantages of the revolving transport trolley JKB 4 K with JUWAmit castors

- Optional connecting bars can be fixed without tools by clamping down on adapter.
- High load capacity at low weight.
- The wheel assemblies are equipped with ball bearing swivel casters that allow for a 360-degree rotation.
- Mix and match revolving trolleys with transport trolleys: With an installation height of only 110 mm\*, the rotating transport trolley JKB 4 is compatible with all steering and transport undercarriages of the K series.
- All products are also available in a set of two with price advantage.
- Unrivalled: The double roller system reduces rolling and turning resistance to a minimum.
- Using the slots in the platform, the rotational trolleys JKB 4 - 8 can be affixed to the load with standard tiedown belts.
- In addition, all the trolleys have a platform center hole to allow attachment to the load.
- For choosing the adequate revolving trolley we recommend a load of two-third of the maximum capacity. This will be the most advantageous compromise between payload, ergonomics and handling of the devices.
- Drawbars and connecting rods are available as accessories in various lengths.
- Inspected according to technical regulation ANSI ? ASME (USA)

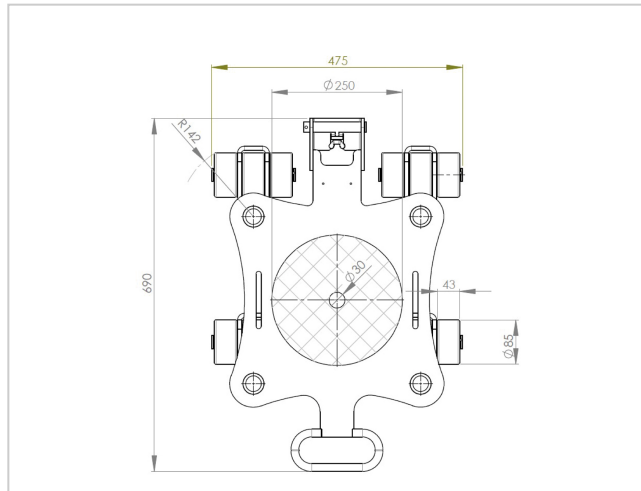
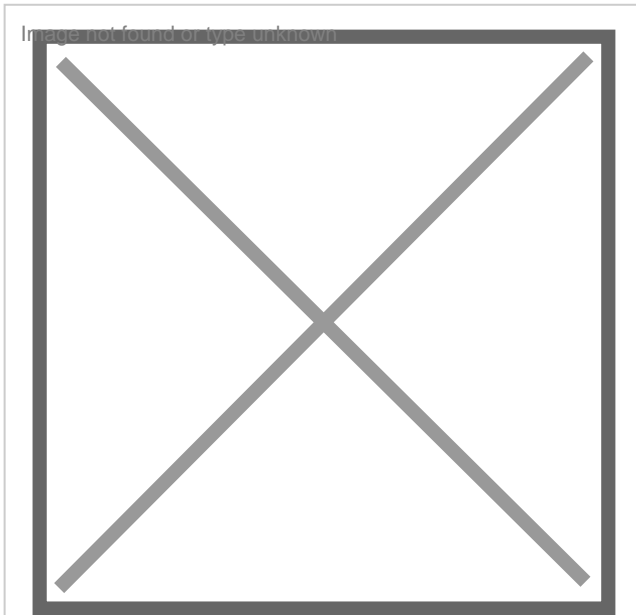
It is recommended to select a payload of approximately 2/3 of the maximum load capacity to achieve the best compromise between payload, ergonomics, and handling of the equipment.

\*) Due to technical changes, there may be tolerances of up to + 4.5 mm in the installation height since 2014.

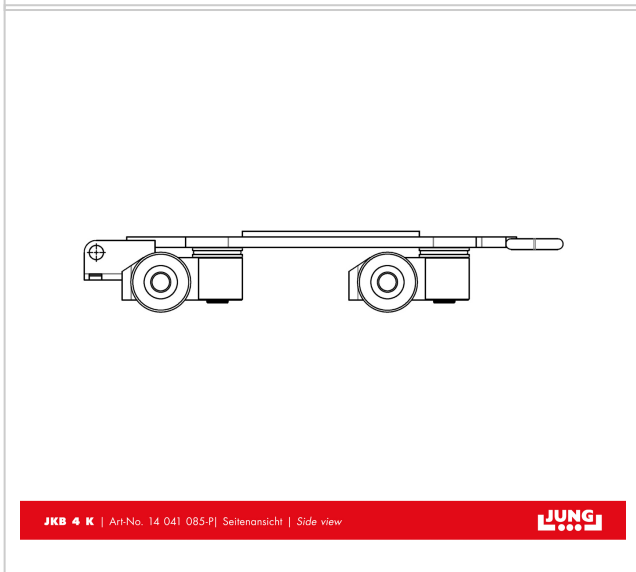
## Product properties

<b>Cassette dimensions (mm)</b>	690 x 475
<b>Supporting surface per cassette (mm)</b>	250
<b>Castor dimensions (Ø x l mm)</b>	85 x 43
<b>Load capacity (suitable)</b>	0 - 5 t
<b>Consist of</b>	1 x JKB 4 K
<b>Number of castors (Pieces)</b>	12
<b>Height (mm)</b>	110
<b>Load capacity (t)</b>	4
<b>Weight JUWAmid (kg)</b>	38

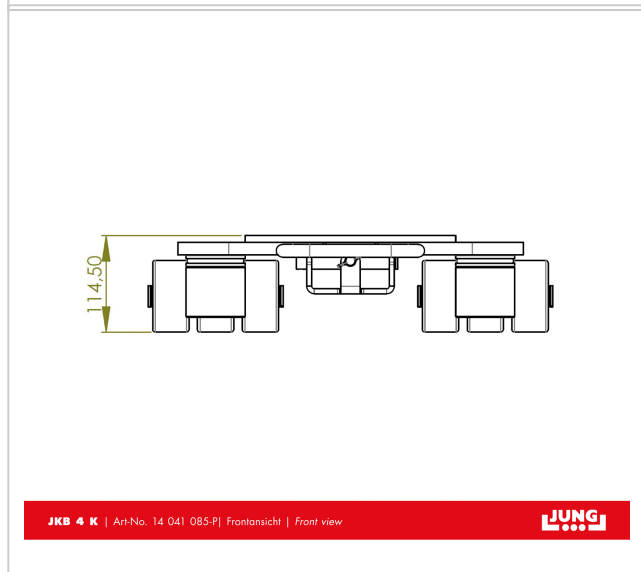
More images



JKB 4 K | Art.No. 14 041 085-P | Draufsicht | Top view



JKB 4 K | Art.No. 14 041 085-P | Seitenansicht | Side view



JKB 4 K | Art.No. 14 041 085-P | Frontansicht | Front view

