

# Revolving transport trolley JKB 8 K

Agile and powerful revolving transport trolley from JUNG. The JKB 8 K transport trolley transports loads up to 8 t with an installation height of 110 mm.

**Product number** 14 080 085-P

**Weight** 64kg



## Product description

Advantages of the revolving transport trolley JKB 8 K with JUWAmid castors

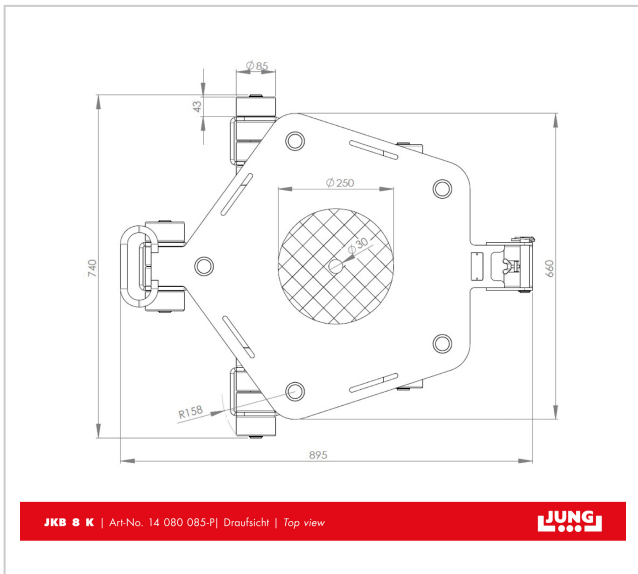
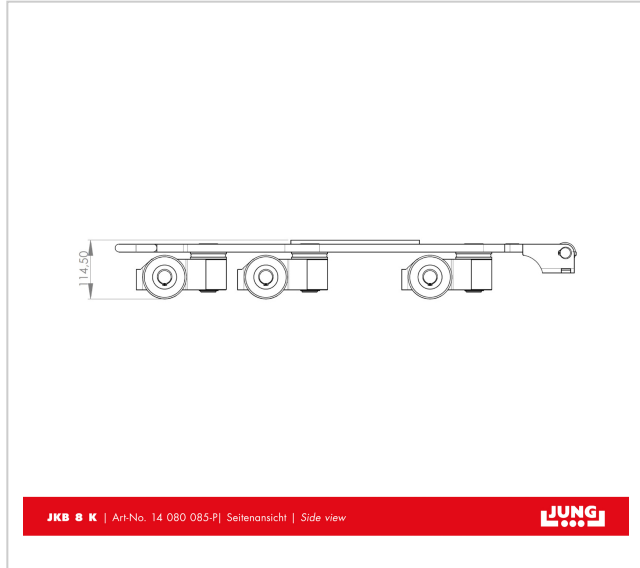
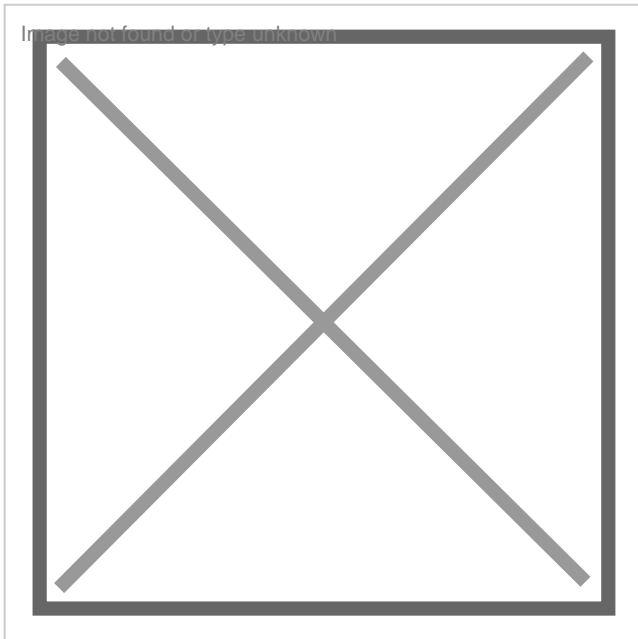
- Optional connecting bars can be fixed without tools by clamping down on adapter.
- High load capacity at low weight.
- Bearing supported swiveling castors allow 360° maneuverability.
- Mix and match revolving trolleys with transport trolleys: With an installation height of only 110 mm\*, the rotating transport trolley JKB 8 is compatible with all steering and transport undercarriages of the K series.
- All products are also available in a set of two with price advantage.
- Unrivalled: The double roller system reduces rolling and turning resistance to a minimum.
- Using the slots in the platform, the trolleys JKB 8 K can be affixed to the load with standard tiedown belts.
- In addition, all the rotational trolleys have a platform center hole to allow attachment to the load.
- For choosing the adequate revolving trolley we recommend a load of two-third of the maximum capacity. This will be the most advantageous compromise between payload, ergonomics and handling of the devices.
- Pulling handle and connecting bars available as accessories.
- Inspected according to technical regulation ANSI ? ASME (USA)

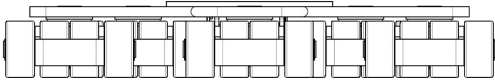
\*) Due to technical changes, there may be tolerances of up to + 4.5 mm in the installation height since 2014.

## Product properties

<b>Supporting surface per cassette (mm)</b>	250
<b>Load capacity (t)</b>	8
<b>Castor dimensions (Ø x l mm)</b>	85 x 43
<b>Height (mm)</b>	110
<b>Cassette dimensions (mm)</b>	895 x 740
<b>Consist of</b>	1 x JKB 8 K
<b>Load capacity (suitable)</b>	6 - 10 t
<b>Weight JUWAmid (kg)</b>	64
<b>Number of castors (Pieces)</b>	20

More images





JKB 8 K | Art-No. 14 080 085-P | Frontansicht | Front view

