

Hydraulic jack JH 20 G plus EX

High-quality jack from JUNG. The hydraulic lifting device JH 20 G plus EX lifts a load of 20 t and reaches a maximum lifting height of 190 mm.

Product number 11 620 106-G

Weight 55kg

Width 322mm

Height 340mm



Product description

Advantages of the hydraulic jack JH 20 G plus EX

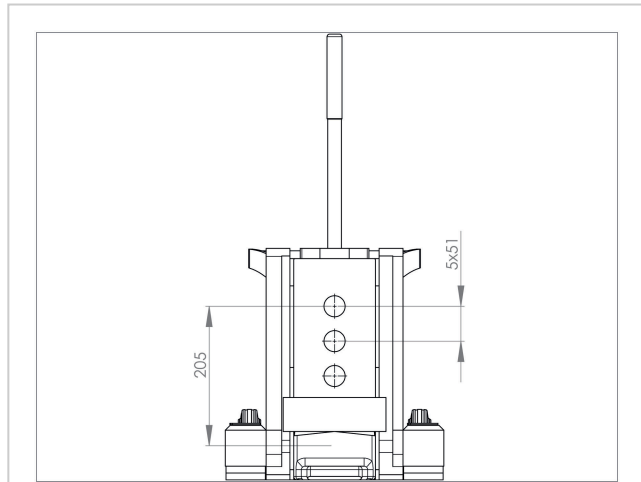
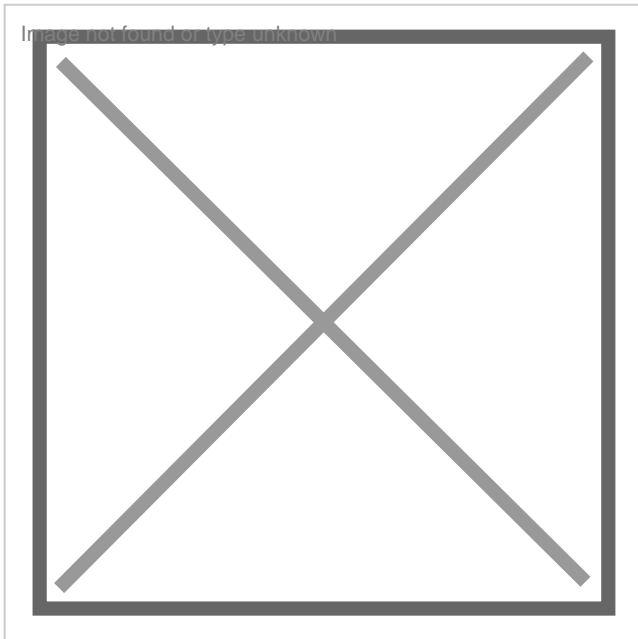
- version without a integrated pump unit

- Integrated spring return retracts piston automatically on JH 20 G plus EX.
- Slide shoe design inside the guiding track prevents twisting of the piston inside the lifting cylinder. This guarantees better force distribution, less friction and reduced wear compared to conventional jacks.
- Reduced maintenance costs due to removable stroke unit and easy to change slide shoes.
- Extremely lightweight with high performance due to the use of highquality material and innovative design.
- Continuous adjustment to the load due to swiveling safety toe. Secure stability in every situation even in lifted position.

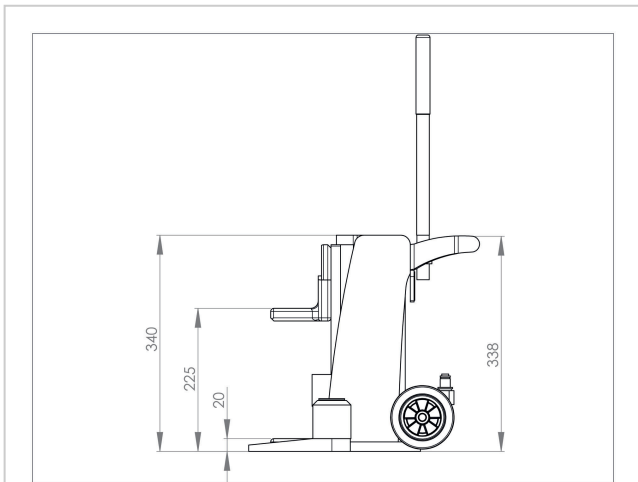
Product properties

Toe depth (mm)	64
Pump unit included	Nein
Load capacity on top plate (t)	20
Length feet on side (mm)	330
Toe width front (mm)	80
Minimum lift toe height (mm)	20
Stroke (mm)	190
Length feet in front (mm)	360
Maximum lift toe height (mm)	225
Lift toe adjustment	5 x 51
Top plate height (mm)	340
Height (mm)	340
Cylinder volume (l)	0,73
Width (mm)	322

More images



JH 20 G plus EX | Art.No. 11 620 106-G | Frontansicht | Front view



JH 20 G plus EX | Art.No. 11 620 106-G | Seitenansicht | Side view



