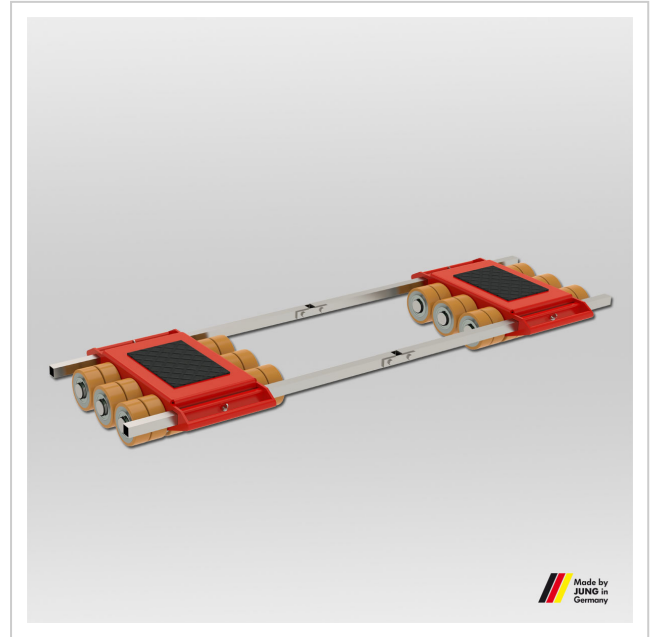


Adjustable trolley JFB 120 H Professional

Power and stability - the JFB 120 H transport trolley from JUNG can lift loads of up to 120 t with an installation height of 240 mm.

Product number 10 912 206-H

Weight 815kg



Product description

Advantages of the transport trolleys JFB 120 H

- Unrivalled: Small and lightweight trolleys at super high capacity.
- Steerable transport trolleys with pivoting cassettes for a better load distribution at all castors and the floor.
- All transport trolleys are ready for use: the steerable transport trolley is fitted with a ball bearing supported turntable and a handlebar. The adjustable-width transport trolley consists of two transport units and connecting bar.
- Also available as Professional version with JUWathan twin castors: the double castor design results in dramatically easier steering due to reduced friction forces in curves. The much lower friction resistance also causes the castors on the rear axis to follow in a truer course.

Product properties

Supporting surface per cassette (mm)	440 x 300
Load capacity (t)	120
Cassette dimensions (mm)	960 x 830
Weight JUWathan® (kg)	815
Height (mm)	240
Castor dimensions (Ø x l mm)	200 x 85
Cassettes adjustable from - to (mm)	830 - 2 530
Load capacity (suitable)	81 - 200 t
Connecting bar with joint (mm)	2 x 3 000
Number of twin castors (pcs.)	48

More images

