

JSET 10/2 - Hydraulic jack set

High-quality hydraulic jack set from JUNG. The set JHS 10/2 contains two JHS 5 with hoses and handpump and is suitable for loads up to 10 t.

Product number 20 410 200-S

Weight 38kg



Product description

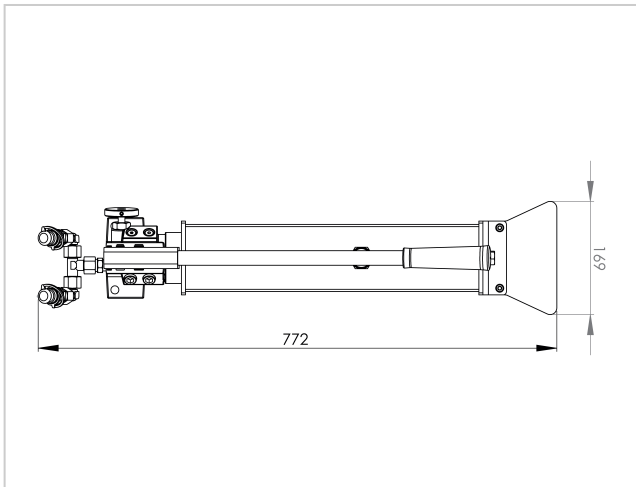
Advantages of jack sets – JSET 10/2

- The set contains 2 x jacks JHS 5, 2 x hoses JS 2 and a handpump JP 26
- 180° revolving housing, this allows the jack to be placed with long or with short feet to the load, if there is no space under that.
- Extra-large lift height: JHS 5 with lift toe 250 mm, with top plate maximum 585 mm.
- Large load capacity with low net weight, therefore perfect for use on site or on the way by frequent changes of location.
- Can also be used horizontally for pressing.
- Safe: because of the use of a separate pump and hoses, more safety distance to the load.

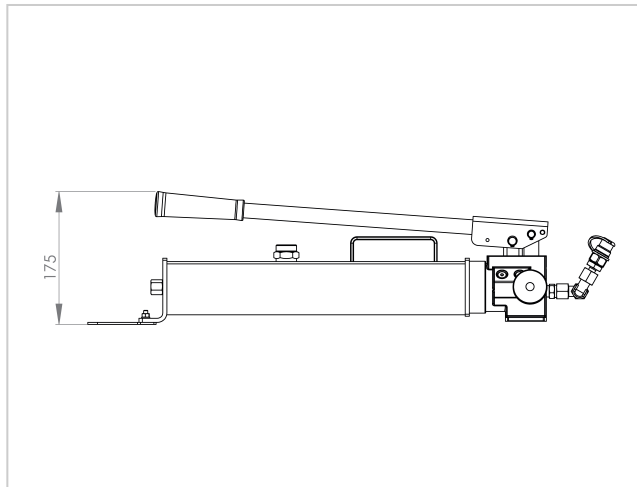
Product properties

Maximum top plate height (mm)	580
Pump unit included	Nein
Hose	2 x JS 2
Pump	JP 26
Jack	2 x JHS 5
Load capacity on top plate (t)	5

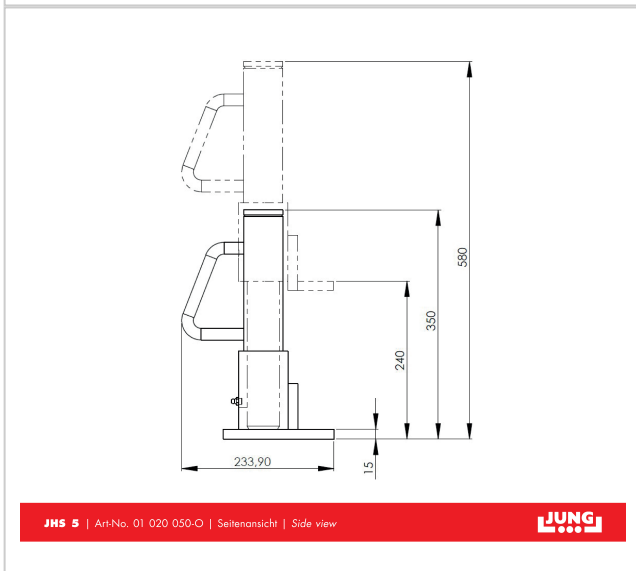
More images



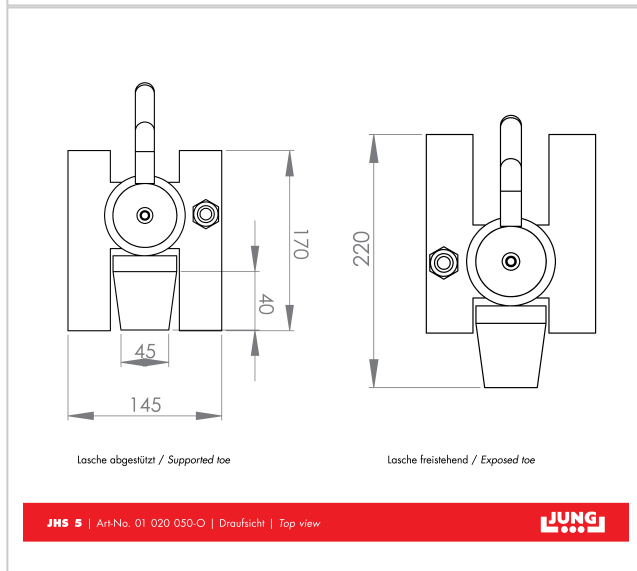
JP 26 | Art.No. 02 260 000-P | Draufsicht | Top view



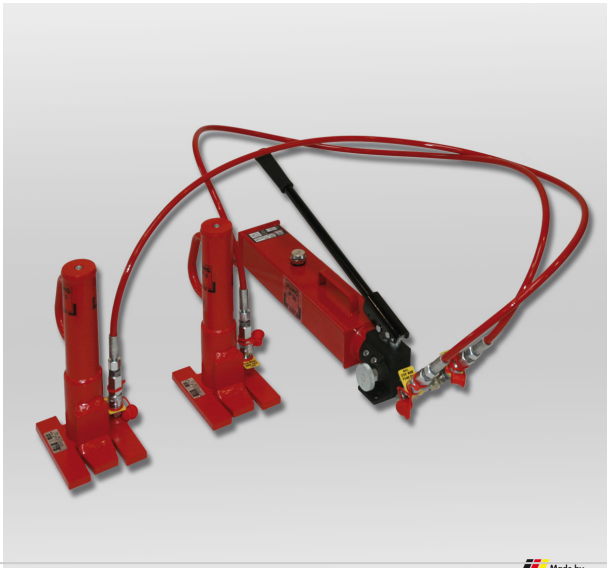
JP 26 | Art.No. 02 260 000-P | Seitenansicht | Side view



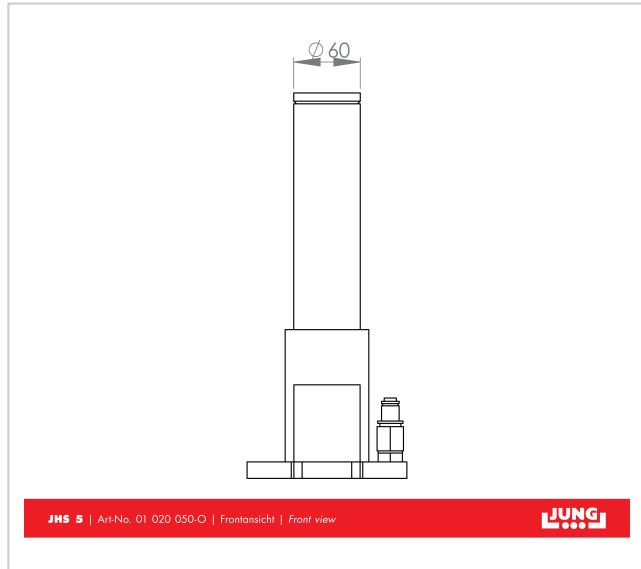
JHS 5 | Art.No. 01 020 050-O | Seitenansicht | Side view



JHS 5 | Art.No. 01 020 050-O | Draufsicht | Top view

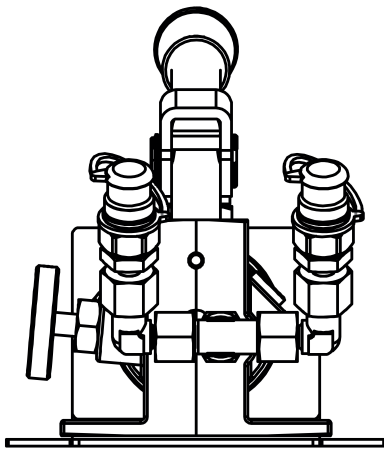


Made by
JUNGC



JHS 5 | Art.No. 01 020 050-O | Frontansicht | Front view

JUNG



JP 26 | Art.No. 02 260 000-P | Frontansicht | Front view

JUNG