

JH 10 G plus - Hydraulic jack

High-quality machine lifter from JUNG. The hydraulic lifting device JH 10 G plus lifts a load of 10 t and reaches a maximum lifting height of 150 mm.

Product number 01 100 102-G

Weight 29kg

Width 247mm

Height 310mm



Product description

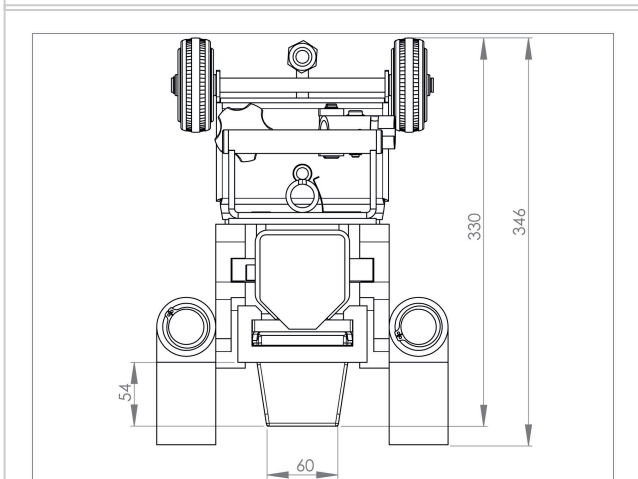
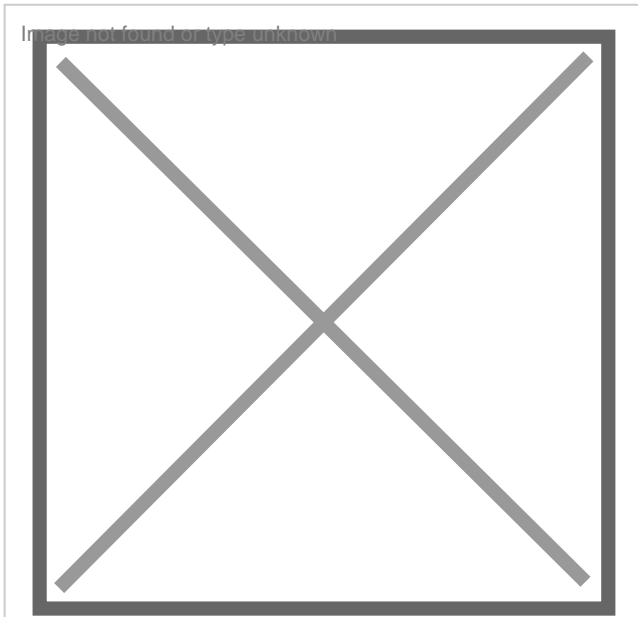
Advantages of the hydraulic jack JH 10 G plus

- Slide shoe design inside the guiding track prevents twisting of the piston inside the lifting cylinder. This guarantees better force distribution, less friction and reduced wear compared to conventional jacks.
- Reduced maintenance costs due to easy change slide shoes and removable pump unit.
- Extremely lightweight with high performance due to the use of highquality material and innovative design.
- Continuous adjustment to the load due to swiveling safety toe. Secure stability in every situation even in lifted position.
- Die-forged steel toe provides impact resistance.

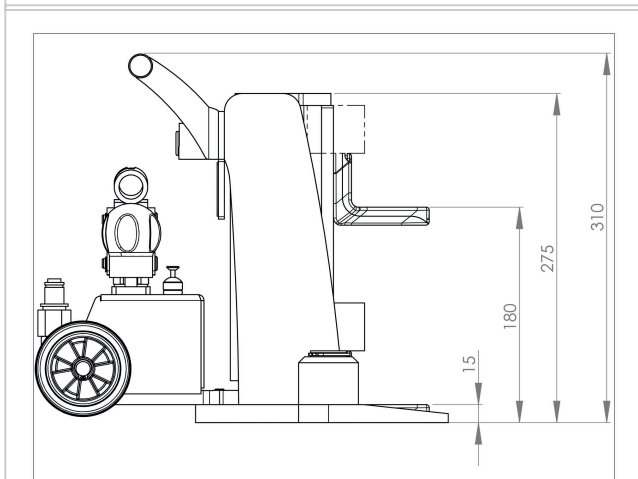
Product properties

Lift toe adjustment	5 x 41
Toe depth (mm)	55
Top plate height (mm)	275
Length feet on side (mm)	330
Width (mm)	247
Length feet in front (mm)	346
Cylinder volume (l)	0,3
Minimum lift toe height (mm)	15
Toe width front (mm)	60
Pump unit included	Ja
Maximum lift toe height (mm)	180
Load capacity on top plate (t)	10
Height (mm)	310
Stroke (mm)	150

More images



JH 10 G plus | Art.No. 01 100 102-G | Draufsicht | Top view



JH 10 G plus | Art.No. 01 100 102-G | Seitenansicht | Side view

