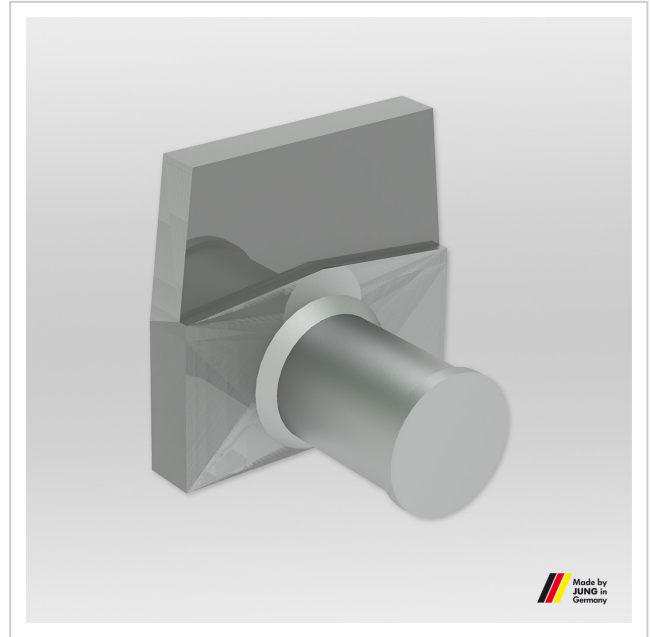


Special toe for ISO-containers

Product number 91 999 100-B

Weight 1.1kg



Product description

Toe for Hydraulic Jack JH 10 G plus suitable for Corner Castings of ISO-Container

Product properties

Dimensions (H x W x L mm) 90 x 85 x 100

More images

